

Built-in oven
Installation and use

Indbygget ovn
Installering og brug

Inbyggnadsugn
Installation och användning

FM 37K IX DK

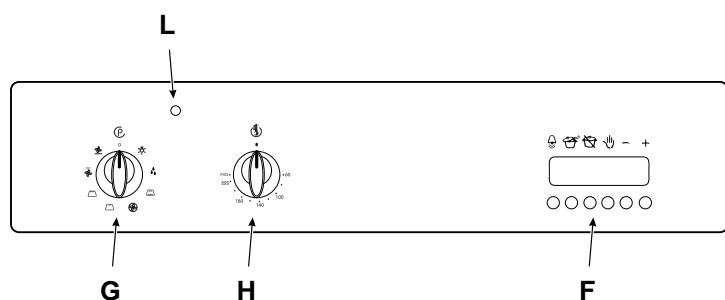
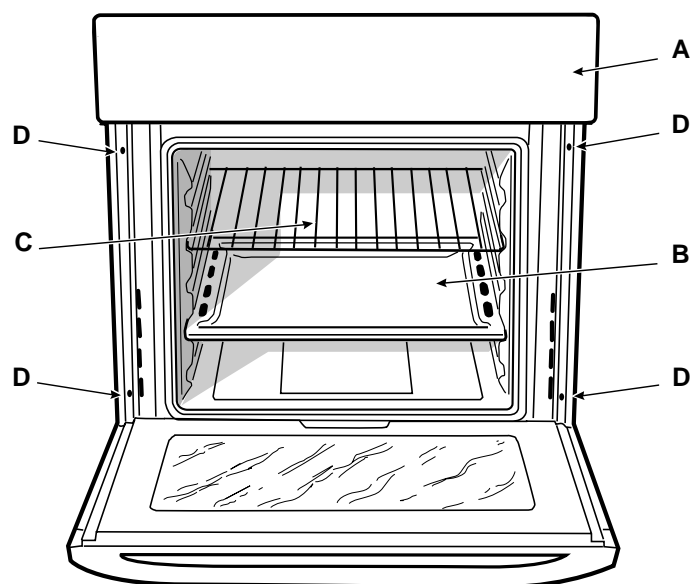


GB	Oven "7 Chefs"	
	Instructions for installation and use	3
DK	Ovnen "7 Kokke"	
	Installerings- og brugervejledning	12
SE	Ugn "7 Cuochi"	
	Bruksanvisning för installation och användning	21

Congratulations on choosing an Indesit appliance, which you will find is dependable and easy to use. We recommend that you read this manual for best performance and to extend the life of your appliance. Thank you.

Close-up View

- A Dashboard
- B Grill pan or hob
- C Oven wire shelf
- D Holes for fixing screws
- F Electronic cooking programmer
- G Selector knob
- H Thermostat knob
- L Thermostat light



How To Use Your Appliance

Use the devices and controls on the dashboard of your cooker to set the various functions.

Attention: before using the oven and grill for the first time, turn the oven on for approximately one half hour. Make sure that the oven is empty, the thermostat on high, the door open, and the room properly ventilated. The odor which can be detected at times is due to the evaporation off the substances used to protect the oven and the grill during the period between the and installation of the appliance.

Attention: Only use the bottom shelf of the oven when using the rotisserie to cook (where present). For all other types of cooking, never use the bottom shelf and never place anything on the bottom of the oven when it is in operation because this could damage the enamel. Always place your cookware (dishes, aluminium foil, etc. etc.) on the grate provided with the appliance inserted especially along the oven guides.

N.B.: Should the appliance be equipped with an electronic programmer, to use the electric oven, just press button

⏏ (the ⏏ symbol will appear on the display) before selecting the desired cooking function.

Oven knobs

The "7 Chefs" oven combines all the advantages of traditional "static" cookers with those of modern "ventilated" ones. The "7 Chefs" oven is extremely versatile and offers 7 different but sure and easy ways of cooking. Use the knobs to select the different cooking functions available on the "7 Chefs" cooker:

G - selector knob (marked with the symbol (P))

H - thermostat knob (marked with the symbol (⌄)) on the dashboard.

When the selector knob is in any position other than the "•" position, the oven light comes on; the knob position marked with the symbol ⏏ allows the oven light to be on without using any heating elements.

1. Defrosting

- Knob position "G": ⏏

- Knob position "H": any

The fan located at the bottom of the oven makes air

circulate around the food at room temperature. It is recommended for defrosting any type of food, but especially for delicate food for which hot air is not needed, for example: ice-cream cakes, custard or cream desserts, fruit desserts. Defrosting time is approximately halved. For meat, fish or bread, defrosting time can be reduced by using the ventilated oven at a temperature of 80°-100°C.


2. The "static" oven

- Knob position "G": 

- Knob position "H": choose between **60°C** and **Max**

When this position is selected, the oven light and the two upper and lower heating elements come on. It is the typical grandmother-style oven which Indesit has produced so as to reach an exceptional degree of temperature distribution and of energy saving. The static oven is unbeatable when cooking dishes containing two or more ingredients which make up a single course, for example: pork ribs with cabbage, Spanish-style salted cod, stockfish all'anconetana, tender veal with rice etc... Excellent results are obtained when cooking beef or veal dishes such as: stews, hotpots, goulash, game, pork leg or shoulder etc... which need to be cooked slowly with the constant addition of stock or liquid. It is still the best way of cooking dry biscuits, tea cakes etc... as well as fruit in general. Use only one shelf when using the static oven as the use of more than one shelf produces bad temperature distribution. By using the various shelves available, you can balance the amount of heat between the upper and lower part of the oven. There is more heat in the lower part of the oven when using the second or the first shelf from the bottom.

3. The "ventilated" oven

- Knob position "G": 

- Knob position "H": choose between **60** and **Max**

In the ventilated oven with hot-air forced circulation, heat is moved around the food by a turbine located at the bottom of the oven. It is this air which cooks and browns the food evenly and thoroughly. Since the heat in the ventilated oven is constant and even throughout, different dishes can be cooked at the same time as long as they require similar cooking times.

Two shelves can be used contemporarily by following the instructions in the paragraph "Cooking contemporarily on two shelves". Some advice on food which we recommend to be cooked in the ventilated oven: excellent results are obtained with first courses which need to be gratined and which require quite a long cook. Excellent results are obtained when roasting meat as better temperature distribution allows for the use of lower temperatures which reduce juice dispersion, keeping meat tender and avoiding shrinkage. The ventilated oven is particularly recommended for cooking fish with the addition of very little dressing, thus keeping its look and flavour unchanged. Excellent results are obtained when stewing vegetables such as cabbage, turnips, carrots, courgettes, aubergines, peppers.

Desserts: sure results are obtained when baking leavened cakes such as sponge cakes, tea-buns, croissants. The ventilated oven function can also be used for defrosting white or red meat, fish, bread, by setting a temperature of

80°-100°C. To defrost more delicate food, set a temperature of 60°C or just use cold-air circulation by setting the thermostat knob at 0°C.

4. The "grill"

- Knob position "G": 

- Knob position "H": **Max**

Food is cooked in the grill by the downward unidirectional thermal rays produced by an incandescent electric heating element. The high, direct grill temperature immediately browns meat, thus stopping juice dispersion and keeping meat more tender. The grill is particularly recommended for cooking dishes requiring a high superficial temperature: beef and veal steaks, entrecote, fillet steaks, hamburgers etc...


5. The "double grill"

- Knob position "G": 

- Knob position "H": **Max**

A larger-than-normal grill with a completely new design: cooking efficiency is increased by 50%. The double grill heat even reaches corner areas.


6. The "Gratin oven"

- Knob position "G": 

- Knob position "H": choose between **60** and **200°C**

It combines unidirectional thermal rays with forced air circulation inside the oven. This stops superficial burning and increases the penetrating power of heat. Excellent results are obtained when the ventilated grill is used for cooking mixed meat and vegetable kebabs, sausages, pork ribs, lamb cutlets, devilled chicken, quails, pork fillet etc... The ventilated grill is unbeatable for cooking trout, tuna, cod, bream, stuffed squid etc... **Note:** the grill (functions 4, 5, 6) must be used **with the door open**.

7. The "Gentle pastry oven"

- Knob position "G": 

- Knob position "H": choose between **60** and **Max**

The oven light, the lower heating element and the fan come on. The temperature set by the thermostat is automatically reached and maintained. This position is recommended to finish the cooking of food (in baking tins) which is superficially well-cooked but still soft inside. It is also recommended for baking cakes topped with fruit or jam, as well as leavened cakes which require a moderate superficial heat, but it is necessary to follow these instructions:

- Put in cakes when the oven is warm.
- As the oven heats very slowly in this position, take it to the required temperature by using the ventilated function (position 3). Once this temperature has been reached set position 7.
- Never put more than one item into the oven.
- The grid should be used (unless you bake directly in the grill pan) since this allows for better air circulation. If the grill pans are not used, remove them from the oven.
- Place the grid on the third or second shelf from the bottom, so as to make the best use of rising heat. Place the cake tin in the middle of the grid.

- Do not open the oven door until cakes are baked in order to avoid temperature drops which could stop the baking process and cause cakes to sink.
- The maximum temperature available when using this function is approximately 220°C. A very long time is necessary in order to reach higher temperatures. If you require higher temperatures, use position 2 (static oven) or position 3 (ventilated oven).

The red ON light of the oven (L)

This indicates that the oven is heating up. When the light goes out, the required temperature has been reached. When the light alternately comes on and goes out, it means that the thermostat is working properly to maintain the oven temperature.

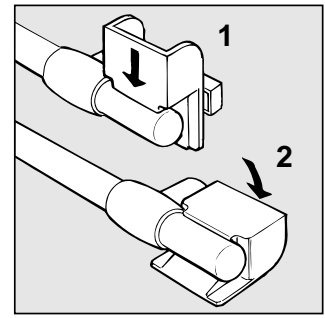
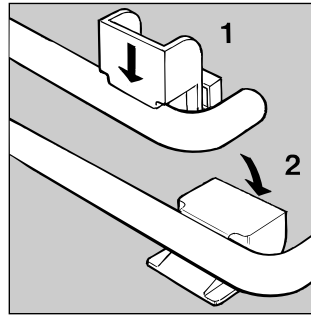
Oven light

This comes on by turning the knob "G". It illuminates the oven and stays on whenever any electric heating element of the oven is in use.

Oven handle

Important: the cooking steam leaves the oven from the slots at the extreme right of the handle. **Do not touch this part of the handle.**

For ovens with tubular handles, there is a special protective device which is fitted during cooking to keep steam away from the front of the cooker.



Forced Air Ventilation

In order to reduce the external temperature of the oven, some models have been equipped with a cooling fan which comes on when the "G" knob is turned to a cooking setting. The fan remains on during the cooking process and a flow of air can be heard exiting between the oven door and the control panel.

Note: when cooking is over, the fan remains on for a few minutes, in order to enable the oven to cool down quickly.

3rd glass-door

You can buy a special kit to reduce door temperature when the oven is on and save energy. If there are little children in the house, this kit is a must. The kit code number is **074657** and it may be purchased for installation from an authorised dealer or a Technical Assistance Service centre indicated in the list included with the appliance documents.

Electronic Cooking Programmer

The programmer makes it possible to preset the oven and the grill in terms of:

- delay start with a preset length of time for cooking;
- immediate start with a preset length of time for cooking;
- timer.

Button functions:

: Timer with hour and minutes;

: Length of cooking time;

: End cooking time;

: Manual change;

: Change time (backwards);

: Change time (forwards).

How to Reset the Digital Clock

After the appliance has been connected to the power source or following a power outage, the clock display will begin to blink and read: **0:00**

- Press the and buttons at the same time. Then use (within 4 seconds) the and buttons to set the exact time.

Use the button to move the time forwards.

Use the button to move the time backwards.

The time can also be changed in the following two ways:

1. Repeat all of the foregoing steps.
2. Press the button, and then use the and buttons to reset the time.

Manual Operation Mode for the Oven

After the time has been set, the programmer is automatically set to manual mode.

Note: Press the button to return the oven to manual mode after every "Automatic" cooking session.

Delayed Start Time with Preset Cooking Length

The length and the end cooking times must be set. Let us suppose that the display shows 10:00.

1. Turn the oven control knob to the cooking setting and temperature desired (example: convection oven at 200°C).
2. Press the and use (within 4 seconds) the and buttons to set the length of the cooking time. Let us suppose that 30 minutes was set for the length of the cooking time. In this case, the display will show:

0:30

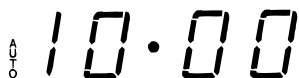
Release the button, and within 4 seconds, the current time will reappear with the symbol and "auto."

3. Press the button, and then use the and buttons to set the end cooking time. Let us suppose that it is 13:00




13:00



4. Release the button and the display will show the current

time within 4 seconds:



When "auto" is lighted, it indicates that the length and end cooking time have been preset to operate in automatic mode. At this point, the oven will turn on automatically at 12:30 in order to finish the cooking session within 30



minutes. When the oven is on, the  symbol (cooking pot) will appear on the display for the entire length of the cooking process. The  button can be pressed at any time to display the setting for the length of the cooking time, while the  button can be pressed to display the end cooking time.

At the end of the cooking time, an acoustic signal will sound. Press any button it turn it off (except the  and  buttons).


Immediate Start Time with Preset Cooking Length

When only the length of the cooking time is set (points 1 and 2 of the paragraph entitled, "Delayed Start Time with Preset Cooking Length"), the cooking session starts immediately.

Cancelling a Preset Cooking Time


Press the  button, and use the  button to set the time to:





Then press the manual cooking mode button .

Timer Feature


The timer can be used to count down from a given length of time. This feature does not control when the oven comes on or turns off, but, rather, it only emits an acoustic signal when the preset time has run out.


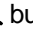

Press the  button, and the display will read:




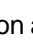
Then use the  and  buttons to set the desired time.

Release the button, and the timer will start at that second. The display will show the current time.



At the end of the preset time, an acoustic signal will sound, which can be turned off by pressing any button (except the  and  buttons), and the  symbol will turn off.

Changing and Cancelling Settings

- The settings can be changed at any time by pressing the corresponding button and using the  or  button.
- When the length setting for the cooking time is cancelled, the end cooking time setting is also cancelled, and vice versa.
- When in automatic cooking mode, the appliance will not accept end cooking times prior to the start cooking time proposed by the appliance itself.

How to Keep Your Oven in Shape

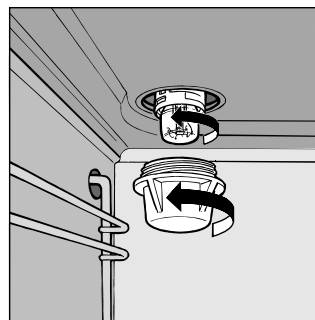
Before cleaning your oven, or performing maintenance, disconnect it from the power supply.

To extend the life of your oven, it must be cleaned frequently, keeping in mind that:

- The self-cleaning panels (if present) and the enameled parts should be washed with warm water - abrasive powders and corrosive substances should be avoided;
- The inside of the oven should be cleaned immediately after use with warm water and soap; the soap should be rinsed away and the interior dried thoroughly;
- Stainless steel can be stained if it remains in contact with aggressive detergents (containing phosphorus) or water with a high lime content. We recommend that you rinse these parts thoroughly and dry them well after cleaning. It is also a good idea to dry any water spills;
- Never line the bottom of the oven with aluminium foil because the buildup of heat will not only impede the cooking process, but could also damage the enamel.

Replacing the Lamp in the Oven

- Cutoff the supply of power to the oven by turning off the omni-polar switch connecting it to the mains, or by removing the plug if it is accessible;
- Unscrew the glass cover attached to the lamp holder;
- Unscrew the lamp and replace it with another high-temperature lamp (300°C) with the following characteristics:
 - Voltage: 230/240 V
 - Wattage: 25W
 - Socket: E14
- Remount the glass cover and reconnect the appliance to the power supply.




Practical Cooking Advice

The "Chefs" cooker offers a wide range of alternatives which allows you to cook any type of food in the best possible way. Various functions allow heat to be directed as required: upward, downward or evenly and with the required intensity. With time, you will learn to make the best use of this versatile cooker. The following indications are only approximate and may be varied according to your own personal experience.


Pre-heating



Should it be necessary to pre-heat the oven, generally speaking for any leavened food, it is advisable to use the ventilated oven which allows the required temperature to be reached in a shorter time as well as saving energy. Once the food has been put into the oven, you can proceed with the most suitable cooking process.

Cooking on one or more shelves

Should you need to use more than one shelf, use only function 3  "ventilated oven" which is the only solution for this process. The three central shelves are to be used, since the top and bottom shelves receive too much hot air which could cause delicate food to burn. When three shelves are used at the same time, food on the middle shelf cooks more slowly and so should be left in the oven for a few more minutes. If you are using three shelves to cook a complete meal, use the middle shelf for the dish which requires a lower temperature (usually the dessert).

Using the grill

The 7 programmes cooker offers 3 different grilling functions. Use position 4  "grill" for small portions consumption in this position is only 1200 W, but allows small portions such as toasted sandwiches, frankfurters etc... to be cooked perfectly. Place the food in the middle of the grill since only the central part of the upper heating element is on. Food which in any corner of the grill will not be cooked.

Position 5  "The double grill" allows food to be cooked in all parts of the grill. Use this function when food is evenly distributed and you want it all evenly browned. Position 6  "The Gratin oven" is extremely useful for quick cooking. Grill heat is distributed thus browning food whilst cooking the inside. Allows large pieces of meat and poultry to be cooked without using the turn-spit. It can also be used for finishing the cooking process of food which needs to be browned, as for example baked pasta.

Grilling should normally be carried out with the door closed to obtain the best results and save energy (about 10%). A grill pan should be placed under the grid to catch grease dripping.

Baking Pastries

When baking pastries, always place them in the oven after it has been preheated. Make sure you wait until the oven has been preheated thoroughly (the red "L" light will turn off). Do not open the door while the pastry is cooking in order to prevent it from dropping. Batters must not be too runny, as this will result in prolonged cooking times. In general:

Pastry is too dry

Increase the temperature by 10°C and reduce the cooking time.

Pastry dropped

Use less liquid or lower the the temperature by 10°C.

Pastry is too dark on top

Place it on a lower rack, lower the temperature, and increase the cooking time.

Cooked well on the inside but sticky on the outside

Use less liquid, lower the temperature, and increase the cooking time.

The pastry sticks to the pan










Grease the pan well and sprinkle it with a dusting of flour.

I used more than one level and they are not all at the same cooking point

Use a lower temperature setting. It is not necessary to remove the food from all the racks at the same time.

Cooking Fish and Meat

Meat must weigh at least 1 Kg in order to prevent it from drying out. When cooking white meat, fowl and fish, use low temperature settings (150°C-175°C). For red meat that should be well done on the outside while tender and juicy in the inside, it is a good idea to start with a high temperature setting (200°C-220°C) for a short time, then turn the oven down afterwards. In general, the larger the roast, the lower the temperature setting. Place the meat on the centre of the rack and place the dripping pan beneath it to catch the fat. Make sure that the rack is inserted so that it is in the centre of the oven. If you would like to increase the amount of heat from below, use the low rack heights. For savory roasts (especially duck and wild game), dress the meat with lard or bacon on the top.

Position selector knob 	Food to be cooked	Weight (Kg)	Position cooking shelves upward	Time preheating (minutes)	Position thermostat knob 	Time cooking (minutes)
1 Defrosting 	All frozen food					
2 Static oven 	Pork ribs Roast veal Duck Merengues Biscuits	0,5 0,5 0,5 - -	2 2 1-2 2 2	15 15 15 10 10	200 200 200 100 140	35 30 30-35 60-75 15-20
3 Ventilated oven 	Pizza Lasagne Baked tagliatelle Lamb Chicken Mackerel Bream Chocolate cake	1 1 1 1 1 1 1,5 1	2 3 3 2 2 2 2 3	15 - - - - - - 10	220 180 180 180 180 180 180 160	20-30 30-35 20-30 40-45 60-75 50-55 55-60 50-60
4 Grill 	Sole and cuttle fish Calamary kebabs and prawns Cod steaks Grilled vegetables	1 1 1 1	4 4 4 3-4	5 5 5 5	Max Max Max Max	8 4 10 8-10
5 Doble Grill 	Veal steaks Chops Hamburgers Mackerel	1 1,5 1 1	4 4 3 4	5 5 5 5	Max Max Max Max	15-20 25 7 20-25
6 Gratin oven 	Grilled chicken Stuffed squid	1,5 1,5	2 2	5 5	200 200	55-60 40-45
7 Gentle pastry oven 	Leavened cakes Pies Fruit cakes Buns	0,5 1 1 0,5	3 3 2 2	Pre-heating in position 2 for 15 minutes	160 180 180 160	30-40 35-40 50-60 40-45

Note: cooking times are approximate and may vary according to personal taste.

Safety Is A Good Habit To Get Into

To maintain the EFFICIENCY and SAFETY of this appliance, we recommend:

- call only the Service Centers authorized by the manufacturer
- always use original Spare Parts

- This appliance is designed for non-professional, household use and its functions must not be changed.
- These instructions are only valid for the countries whose symbols appear on the manual and the serial number plate.
- The electrical system of this appliance may be used safely only when it is correctly connected to an efficient earthing system in compliance with the safety standards currently in effect.

The following items are potentially dangerous, and, therefore, appropriate measures must be taken to prevent children and the disabled from coming into contact with them:

- Controls and the appliance in general;
- Packaging (bags, polystyrene, nails, etc.);
- The appliance immediately after use of the oven or grill due to the heat generated;
- The appliance when no longer in use (potentially dangerous parts must be made safe).

Avoid the following:

- Touching the appliance with wet parts of the body;
- Using the appliance when barefoot;
- Pulling on the appliance or the supply cord to unplug it from the electrical outlet;
- Obstructing the ventilation or heat dissipation slots;
- Allowing power supply cords for small appliances to come into contact with the hot parts of the appliance;
- Exposing the appliance to atmospheric agents (rain, sun);
- Using the oven for storage purposes;
- Using flammable liquids near the appliance;
- Using adaptors, multiple sockets and/or extension cords;
- Attempting to install or repair the appliance without the assistance of qualified personnel.

Qualified personnel must be contacted in the following cases:

- Installation (following the manufacturer's instructions);
- When in doubt about operating the appliance;
- Replacing the electrical outlet when it is not compatible with the plug for the appliance.

Service Centres authorized by the manufacturer must be contacted in the following cases:

- If in doubt about the soundness of the appliance after removing it from the packaging;
- If the power supply cord has been damaged or needs to be replaced;
- If the appliance breaks down or functions poorly; ask for original spare parts.

It is a good idea to do the following:

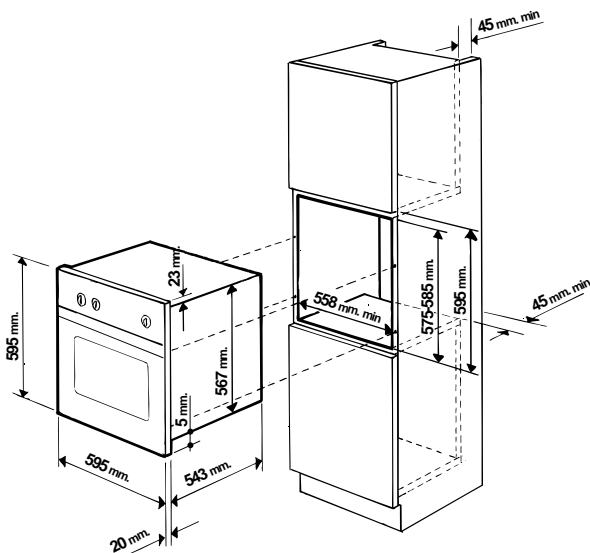
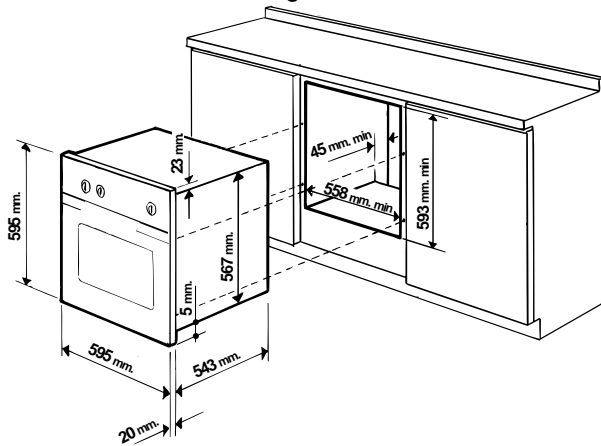
- Only use the appliance to cook food, nothing else;
- Check the soundness of the appliance after it has been unpacked;
- disconnect the appliance from the electrical mains if it is not functioning properly and before cleaning or performing maintenance;
- When the appliance is not used for an extended period of time, cut off the supply of power and close the gas cock (if present);
- Use cooking gloves to place cookware in the oven or when removing it;
- Always grasp the oven door in the centre because the ends may be hot due to the escape of hot air;
- Make sure that the control knobs are on the "●"/"o" setting when the appliance is not in use;
- Cut the power supply chord after disconnecting it from the mains when you decide not to use the appliance any longer.
- The manufacturer will not be held liable for any damages that might arise out of incorrect installation or improper, incorrect or unreasonable use of the appliance.

Installation

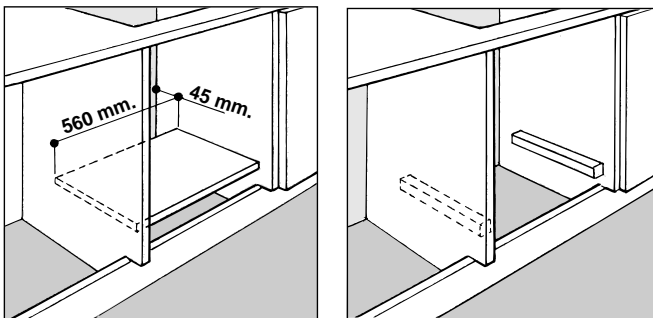
Important: always unplug the appliance from the mains before making any adjustments or carrying out maintenance work.

Installing built-in ovens

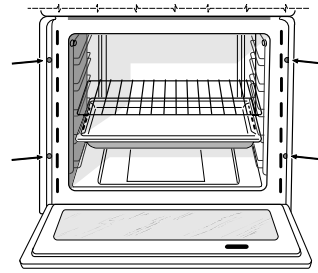
To ensure the proper working order of the built-in appliance, the kitchen unit must be of a suitable size. The sizes of the unit for installing the cooker under a worktop or in a column unit are shown in figure.



To ensure proper ventilation, the back panel of the unit must be removed. The cooker should be placed on two small wooden boards; should there be a one-piece worktop, there must be an opening of at least 45 x 600 mm.



To secure the cooker to the unit, open the oven door and fix the cooker by screwing the 4 wooden screws into the 4 holes located in the outer frame.



The unit panels next to the cooker must be heat resistant. In the case of veneered wood units, glues must be resistant to a temperature of 100 °C. In accordance with safety standards, once the appliance has been mounted, there must be no possible contact with electrical parts. Any protective parts must be secured so that they can only be removed with the use of tools.

Electric connection

Cookers with a three-pole power supply cable are designed to operate with alternated current at the supply frequency and voltage indicated on the data plate (at the bottom of the oven dashboard). The earthing conductor of the cable is the yellow-green conductor.

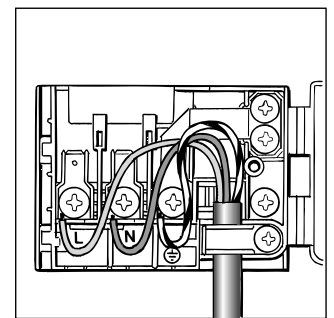
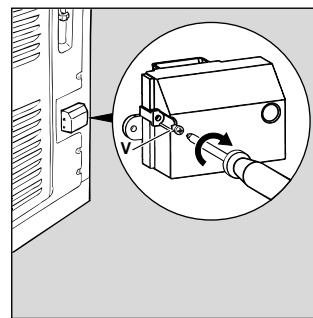


Fig. A

Fig. B

Feeding cable installation

Terminal block opening:

- Unscrew screw "V" (Fig. A).

- Pull and open the junction block lid.

For the installation of the feeding cable carry out the following operations Fig. B:

- unscrew the screw of the cable stop and the three screws of the contacts L-N-(\perp).
- Fix the small cables under the heads of the screws remembering to observe the colours: **Blue (N) Brown (L) Yellow-Green (\perp)**.
- Fix the feeding cable in the special cable stop and close the cover.

Connecting the power supply cable to the mains

The appliance must be directly connected to the mains using an omnipolar circuit-breaker with a minimum contact opening of 3 mm installed between the appliance and the mains, suitable for the load indicated and complying with current directives (the earthing wire must not be interrupted by the circuit-breaker). The power supply cable must be positioned so that it does not exceed 50°C more than room temperature at any point of its length. Before making the connection check that:

- the limiter valve and the home system can support the appliance load (see data plate);
- the power supply system has an efficient earthing connection which complies with the provisions of current regulations;
- the socket or omnipoar circuit-breaker is easily accessible once the cooker has been installed.

N.B: do not use reducers, adaptors or shunts as they could cause overheating and burns.

Technical Specifications

Inner Dimensions of the Oven:

Width: 40 cm
 Depth: 39 cm
 Height: 34 cm

Inner Volume of the Oven:

53 Liters

Energy Consumption:

To reach 200°C: 0.45 kWh
 To maintain the temp. at 200°C for 1 hour: 0.95 kWh
 Total: 1.40 kWh

Voltage and Frequency of Power Supply:

230 V~ / 50 Hz / 2300W



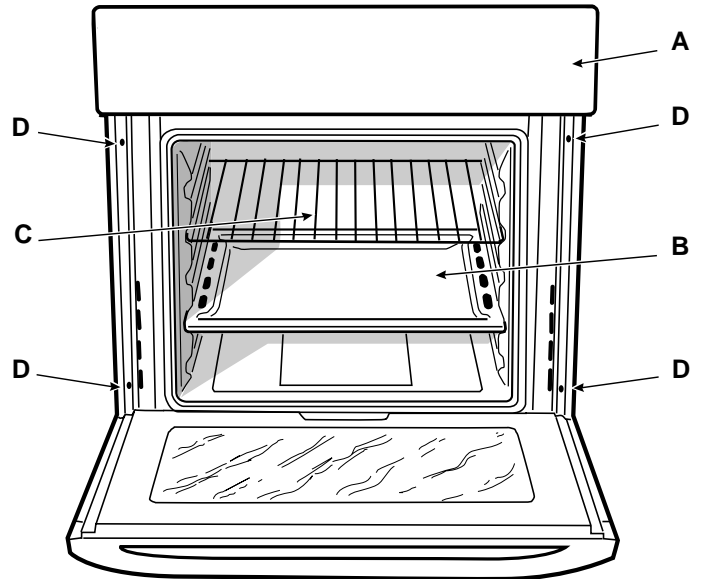
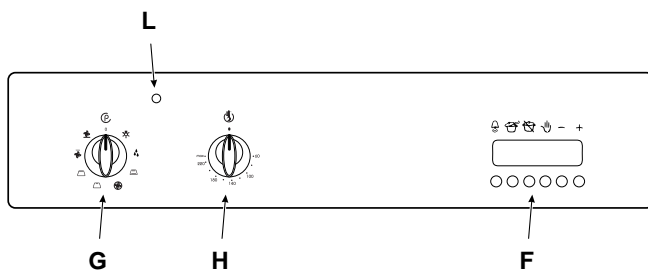
This appliance conforms with the following European Economic Community directives:

- 73/23/EEC of 19/02/73 (Low Voltage) and subsequent modifications;
- 89/336/EEC of 03/05/89 (Electromagnetic Compatibility) and subsequent modifications;
- 93/68/EEC of 22/07/93 and subsequent modifications.

Til lykke med valget af et Indesit husholdningsapparat, som du vil opdage både er holdbart og let at anvende. Vi anbefaler, at du læser denne vejledning for at kunne drage fuld nytte af ovnen og forlænge dens funktionsdygtige levetid. Tak!

Nærbillede

- A Betjeningspanel
- B Bradepande eller plade
- C Ovnrist
- D Huller til fastgørings skruer
- F Elektronisk programmeringsenhed til madtilberedning
- G Indstillingsknap
- H Termostatknop
- L Termostatlys


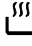


Hvordan ovnen anvendes

Brug betjeningsknapperne og -anordningerne på ovnens betjeningspanel til indstilling af de forskellige funktioner.

Vær opmærksom på følgende: inden ovnen og grillen anvendes første gang, skal du lade den være tændt i cirka en halv time. Sørg for at ovnen er tom, at termostaten er indstillet på højt niveau, at lågen er åben, og at lokalet er udluftet godt. Den lugt, der til tider kan bemærkes, er afledt af fordampning af stoffer, der anvendes til beskyttelse af ovnen og grillen i perioden mellem fremstilling og installation af apparatet.


Vær opmærksom på følgende: benyt kun den nederste hylde i ovnen ved anvendelse af den roterende grill under madtilberedningen (hvis denne indretning findes). Ved alle andre typer af madtilberedning, må du aldrig benytte den nederste hylde, og aldrig anbringe noget på bunden af ovnen, når den er i funktion, da dette kan ødelægge emaljen. Sæt altid tilberedningsbeholdere (fade, aluminiumsbakker, etc. etc.) på den medfølgende rist, der skal indsættes langs ovnens styreskiner.


N.B.: Hvis ovnen er udstyret med elektronisk programmering, skal man for at kunne benytte den elektriske ovn blot trykke på knap  (symbolet  vil blive vist på displayet), før den ønskede tilberedningsfunktion vælges.

Ovnknapper


Ovnen "7 kokke" kombinerer alle fordelene ved traditionelle "statiske" ovne med fordelene ved moderne "ventilerede" ovne. Ovnen "7 Kokke" kan anvendes til mange forskellige madlavningsmetoder, og tilbyder 7 forskellige sikre og lette ovntilberedningsmåder. Benyt knapperne til valg af de forskellige funktioner på ovnen "7 Kokke":

G – indstillingsknap (mærket med symbolet )

H – termostatknop (mærket med symbolet ) på betjeningspanelet.

Når Indstillingsknappen befinder sig i en anden position end "•", vil ovnlyset blive tændt; knappositionen mærket med symbolet  får ovnlyset til at være tændt, uden at der er nogen varmeelementer i funktion.

1. Optøning

- Knapposition "G": 

- Knapposition "H": **alle**

Blæseren i bunden af ovnen får luften til at cirkulere omkring maden med rumtemperatur. Denne funktion anbefales til optøning af enhver form for mad, men er specielt egnet til optøning af ømtålelige madvarer, hvor varm luft ikke er nødvendig, for eksempel: iskager, budding- eller cremedesserten, frugtdesserten. Optøningstiden vil blive cirka halveret. Ved kød, fisk eller brød kan optøningstiden reduceres ved at bruge den ventilerede ovn med en temperatur på 80°-100°C.

2. Den "statiske" ovn

- Knapposition "G": 

- Knapposition "H": vælg mellem **60°C** og **Max**

Når denne position vælges, vil ovenlyset og de to øvre og nedre varmeelementer blive tændt. Dette er den typiske traditionelle ovn, som Indesit har videreudviklet, for at opnå en fremragende temperaturfordeling og energibesparelse. Den statiske ovn kan ikke overgås ved tilberedning af retter med to eller flere ingredienser, der sammen danner et måltid, for eksempel: svinekoteletter med kål, mørt kalvekød med ris etc... Der opnås også fremragende resultater ved tilberedning af okse- eller kalvekød, såsom: ragout, gullasch, kød af vildt, svinekam og køller etc... der har behov for langsom tilberedning med tilsættelse af væske. det vil stadig være den bedste metode til bagning af kiks, småkager etc... samt til frugt i almindelighed. Benyt kun den ene af hyldeerne ved brug af den statiske ovn, fordi anvendelse af mere en én hylde medfører dårlig temperaturfordeling. Ved at vælge mellem de forskellige hylder, kan du afbalancere mængden af varme mellem den øverste og den nederste del af ovnen. Der vil være mere varme i den nederste del af ovnen, når man anvender den første eller den anden hylde fra bunden.

3. Den "ventilerede" ovn

- Knapposition "G": 

- Knapposition "H": vælg mellem **60** og **Max**

I den ventilerede ovn med forceret varmluftcirkulation, bevæges varmen rundt om maden ved hjælp af en ventilator, der findes i bunden af ovnen. Denne luft steger/bager og bruner maden jævnt og helt igennem. Fordi varmen i den ventilerede ovn er konstant og jævn i hele perioden, kan man tilberede forskellige retter samtidigt, blot de kræver tilsvarende tilberedningstid.

Der kan anvendes to hylder samtidigt ved at følge den vejledning, der findes i afsnittet "Samtidig tilberedning på to hylder". Herunder findes nogle gode råd for madtilberedning i den ventilerede ovn: man opnår fremragende resultater med forretter, der kræver gratinering og ret lang tilberedningstid. Man får også gode resultater ved stegning af kød, fordi temperaturfordelingen giver mulighed for at anvende en lavere temperatur, der reducerer tab af kødsaft, således at kødet bliver mere mørt og ikke skrumper. Den ventilerede ovn anbefales specielt til tilberedning af fisk med meget lidt dressing, således af fiskeretter bibeholder deres originale udseende og smag. Man opnår også fremragende resultater ved ovenbagte grøntsager, såsom kål, gulerødder, squash, auberginer og peberfrugter.

Desserten: man opnår gode resultater ved bagning af hævet bagværk, såsom sukkerbrøds-kager, teboller og croissanter. Den ventilerede ovenfunktion kan også anvendes til optøning af hvidt eller rødt kød, fisk og brød ved at indstille temperaturen på 80°-100°C. Ved optøning af mere ømtålelige madvarer kan man indstille en temperatur på 60°C, eller blot benytte cirkulation af kold luft ved at indstille termostatknapen på 0°C.

4. Grillen

- Knapposition "G": 

- Knapposition "H": **Max**

Maden tilberedes under grillen ved hjælp af nedadgående envejs-varmestraler, dannet af glødende elektriske

varmeelementer. Høj og direkte grilltemperatur bruner kød med det samme, således at kødsaften ikke spildes og kødet bliver mere mørt. Grillen anbefales specielt til tilberedning af retter, der kræver høj overfladetemperatur: bøffer af okse- og kalvekød, entrecote, filet, hamburgere etc...

5. Den dobbelte grill

- Knapposition "G": 

- Knapposition "H": **Max**

En grill der er større end normalt, og er designet på en helt ny måde: tilberedningen er 50% mere effektiv. Den dobbelte grillvarme når selv hjørnerne.

6. "Gratineringsovnen"

- Knapposition "G": 

- Knapposition "H": vælg mellem **60** og **200°C**

Denne funktion kombinerer envejs-varmestraler med forceret luftcirkulation i ovnen. Dette forhindrer forbrænding af overfladerne, og øger indtrængning af varmekraften. Den ventilerede grill er fremragende ved tilberedning af blandede kød- og grøntsagsspyd, pølser, svinekoteletter, lammekød, svinemørbrad etc... Den ventilerede grill kan ikke overgås ved tilberedning af fisk, såsom ørred, tun, torsk etc... **Bemærk:** grillen (funktionerne 4,5,6) **skal** anvendes **med åben ovenlåge**.

7. Den "nænsomme" ovn til fint bagværk

- Knapposition "G": 

- Knapposition "H": vælg mellem **60** og **Max**

Ovenlyset, det nederste varmeelement og blæseren tændes. Den temperatur, der er indstillet med termostaten, nås og opretholdes automatisk. Denne indstilling anbefales i den sidste periode under tilberedelse af mad (i bageforme), der er færdigt på ydersiden, men stadig blødt indvendigt. Indstillingen anbefales også ved bagning af kager med frugt eller syltetøj på oversiden, samt hævet bagværk, der kræver begrænset overfladevarme; det er dog nødvendigt at følge nedenstående vejledning:

- Sæt kagerne ind, når ovnen er varm.
- Fordi ovnen varmer meget langsomt op på denne indstilling, skal ovnen bringes op på den ønskede temperatur ved hjælp af ventileringsfunktionen (position 3). Når denne temperatur er nået, skal man indstille på position 7.
- Sæt aldrig mere end én kage i ovnen ad gangen.
- Man bør benytte risten (med mindre man bager direkte i bradepanden), fordi dette medfører bedre luftcirkulation. Hvis bradepanderne ikke benyttes skal de fjernes fra ovnen.
- Placer risten på tredje eller anden hylde fra bunden, således at den opadgående varme udnyttes bedst muligt. Sæt kageformen på midten af risten.
- Åbn aldrig ovenlågen, før kagen er bagt, således at man undgår temperaturfald, der eventuelt kan stoppe bageprocessen og få kagen til at falde sammen.
- Den maksimale temperatur til rådighed ved denne funktion er cirka 220°C. Det vil tage meget lang tid at nå højere temperaturer. Hvis du har behov for højere temperaturer, skal du indstille på position 2 (statisk ovn) eller position 3 (ventileret ovn).

Rødt kontrollys på ovnen (L)

Dette lys tilkendegiver, at ovnen er ved at varme op. Når lyset slukkes, er den krævede temperatur nået. Når lyset skiftevis tændes og slukkes, betyder det, at termostaten fungerer korrekt for at opretholde ovntemperaturen.

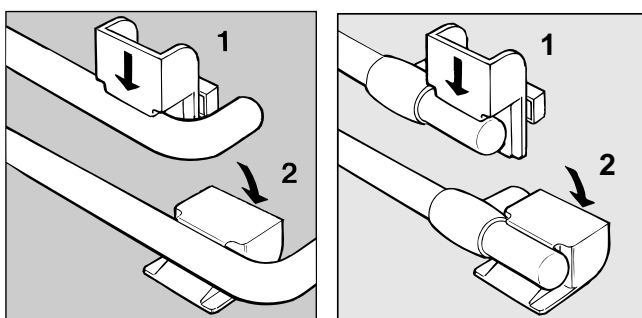
Ovnlys

Ovnlyset tændes ved drejning af knap "G". Det oplyser ovnen og er tændt, når et elektrisk varmeelement i ovnen er i funktion.

Ovnhåndtag

Vigtigt: dampen fra tilberedningen forlader ovnen fra åbningerne yderst til højre for håndtaget. **Rør ikke ved denne del af håndtaget.**

Ved ovne med rørformede håndtag findes der en speciel beskyttelsesanordning, der skal placeres under tilberedning af mad for at holde dampen væk fra forsiden af ovnen.



Forceret luftventilation

For at reducere den eksterne ovntemperatur, er nogle modeller udstyret med en afkølingsblæser, der tændes, når knap "G" drejes til en tilberedningsindstilling. Blæseren vedbliver med at være tændt under tilberedningen, og man kan høre en luftstrøm komme ud mellem ovnlågen og betjeningspanelet.

Bemærk: når tilberedningen er tilendebragt, vil blæseren vedblive med at være tændt i nogle få minutter, således at ovnen kan køle hurtigt ned.

Tredje glaslåge

Man kan købe specialudstyr til reducere af lågetemperaturen, når ovnen er tændt, og samtidigt spare energi. Hvis I har små børn i huset er dette udstyr nødvendigt. Udstyrets kode er **074657**, og det kan købes fra en autoriseret forhandler eller et teknisk servicecenter, angivet på den liste der følger med dokumenterne til husholdningsapparatet.

Elektronisk programmeringsenhed til madtilberedning

Programmeringsenheden giver mulighed for at forindstille ovnen og grillen, hvad angår:

- forsinkelse af tændingen med en forindstillet tid for tilberedning;
- øjeblikkelig tænding med en forindstillet tid for tilberedning;
- timer.

Knapfunktioner:

: "Timer" med timer og minutter;

: Varighed af tilberedningstiden;

: Afslutning af tilberedningstiden;

: Manuel ændring;

: Indstil tid (tilbage);

: Indstil tid (frem);

Hvordan det digitale ur indstilles

Når ovnen er blevet tilsluttet energiforsyningen, eller efter et strømsvigt, vil urdisplayet begynde at blinke, og følgende vil blive vist: **0:00**

- Tryk på og knapperne samtidigt. Brug derefter (indenfor 4 sekunder) knapperne og til at indstille det korrekte klokkeslæt.

Brug knappen til at stille tiden frem.

Brug knappen til at stille tiden tilbage.

Tidsindstillingen kan også ændres på følgende to måder:

1. Gentag alle forudgående trin.
2. Tryk på knappen , og benyt derefter knapperne og til at indstille tiden.

Manuel funktionsmåde for ovnen

Når tiden er indstillet, vil programmeringsenheden automatisk være indstillet på manuel funktionsmåde.

Bemærk: Tryk på knappen for at indstille ovnen på manuel funktionsmåde, efter hver "automatisk" madtilberedning.

Forsinket tænding med forindstillet tilberedningsvarighed


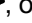
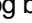
Varigheden og afslutningen af tilberedningstiderne skal indstilles. Lad os antage, at displayet viser 10:00.


1. Drej ovnens betjeningsknap til den ønskede indstilling for tilberedning og temperatur (for eksempel: varmluftsovn på 200°C).
2. Tryk på , og brug derefter (indenfor 4 sekunder) knapperne og til at indstille den korrekte tilberedningstid. Lad os antage, at der er blevet indstillet 30 minutter som tilberedningstid. I dette tilfælde vil displayet vise:

0:30


Slip knappen, og inden der er gået 4 sekunder vil det aktuelle

klokkeslæt blive vist med symbolet  og "auto."




3. Tryk på knappen , og brug derefter knapperne  og  til at indstille tidspunktet for afslutningen af tilberedningen. Lad os antage, at displayet viser 13:00



 13:00

4. Slip knappen og displayet vil, inden der er gået 4 sekunder, vise det nuværende klokkeslæt:

 10:00

Når "auto" er oplyst, betyder dette, at varigheden af tilberedningen, og tidspunktet for dens afslutning, er blevet forindstillet på automatisk funktionsmåde. Herefter vil ovnen automatisk tænde kl. 12:30 og afslutte tilberedningen af maden



indenfor 30 minutter. Når ovnen er tændt, vil symbolet  (gryde) blive vist på displayet i hele tilberedningsperioden. Man kan trykke på knappen  når som helst for at vise indstillingen af tilberedningstiden, og knappen  kan trykkes for at vise tidspunktet for afslutningen af tilberedningen.

Når tilberedningen af maden er tilendebragt, vil der lyde et signal. Tryk på én af knapperne for at afbryde signalet (undtagen knapperne  og .

Øjeblikkelig tænding med forindstillet tilberedningsvarighed

Hvis kun varigheden af tilberedningen er indstillet (punkterne 1 og 2 i afsnittet "Forsinket tænding med forindstillet tilberedningsvarighed", vil tilberedningen af maden straks blive påbegyndt.

Annullering af en forindstillet tilberedningstid

Tryk på knappen , og brug derefter knappen  til at indstille tiden på:

0:00


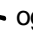
Tryk derefter på knappen for manuel tilberedning .

"Timer"-funktioner

"Timer'en" kan benyttes til nedtælling fra en indstillet tidsperiode. Denne funktion styrer ikke, hvornår ovnen tændes eller slukkes, men udsender blot et lydsignal, når den forindstillede tid er udløbet.




Tryk på  knappen, hvorefter displayet vil vise:

0:00



Brug derefter knapperne  og  til at indstille den ønskede tid.

Slip knappen, hvorefter "timer'en" vil starte i det sekund. Displayet vil vise den aktuelle tid.

10:00

Når den forindstillede tid er udløbet, vil der lyde et signal, der kan afbrydes ved at trykke på en knap (alle knapper undtagen  og ) og symbolet  vil slukke.

Ændring og annullering af indstillinger

- Indstillingerne kan ændres når som helst ved at trykke på den tilhørende knap og derefter knappen  eller .
- Når varigheden af tilberedningstiden annulleres, vil også tidspunktet for afslutningen af tilberedningen blive annulleret, og viceversa.
- Når ovnen er indstillet på funktionen for automatisk tilberedning, vil den ikke godtage tider for afslutning af tilberedningen, der ligger før den tid, som ovnen selv tilkendegiver.

Hvordan ovnen vedligeholdes

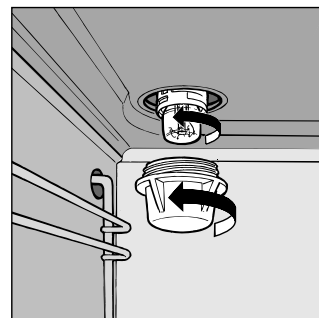
Inden ovnen rengøres eller vedligeholdes, skal den afbrydes fra netforsyningen.

For at forlænge ovnens funktionsdygtige levetid skal den rengøres ofte, men vær opmærksom på følgende:

- De selvrensende paneler (hvis til stede) og emaljedelene bør vaskes med varmt vand - undgå brug af slibepulver og ætsende stoffer;
- Ovnens inderside bør rengøres straks efter brug med varmt vand og sæbe; sæben skal skylles af og ovnens inderside skal tørres omhyggeligt;
- Rustfrit stål kan blive plettet, hvis det er i kontakt med aggressive vaskemidler (der indeholder fosfor) eller vand med højt kalkindhold. Det anbefales, at disse dele renses omhyggeligt, og derefter tørres godt efter rensningen. Det vil også være hensigtsmæssigt at aftørre eventuelle vandsprøjt.
- Læg aldrig aluminiumsfolie i bunden af ovnen, fordi ophedningen ikke blot vil forhindre tilberedningen af maden, men eventuelt også beskadige emaljen.

Udskiftning af ovnpæren

- Afbryd elforsyningen til ovnen ved at slukke for den flerpolede kontakt, der forbinder til elnettet, eller ved eventuelt at trække stikkontakten ud, hvis der er adgang til denne.
- Skru det glasdæksel af, der findes ved pærefatningen;
- Skru pæren af og udskift den med en ny højtemperaturpære (300°C) med følgende karakteristika:
 - Spænding: 230/240 V
 - Watt: 25W
 - Fatning: E14
- G e n m o n t é r glasdækslet og tilslut ovnen til elforsyningen.




Ovnen "7 kokke" tilbyder en lang række alternativer, der giver mulighed for at tilberede enhver form for mad optimalt. Forskellige funktioner kan sende varmen i den ønskede retning: opad, nedad eller jævnt, og med den ønskede intensitet. Med tiden vil du lære at bruge denne ovn med de mange funktioner optimalt. Følgende råd er kun vejledende, og kan ændres i overensstemmelse med dine personlige erfaringer.

Foropvarmning

Hvis der opstår behov for at foropvarme ovnen, specielt til hævede madvarer, anbefales det at anvende den ventilerede ovn, der giver mulighed for at nå den ønskede temperatur på kortere tid, og samtidigt giver en energibesparelse. Når maden er sat i ovnen, kan du indstille på den mest egnede tilberedningsfunktion.

Tilberedning på flere hylder

Hvis man ønsker at tilberede mad på mere end én hylde, skal man kun anvende funktion 3  "ventileret ovn", der er den eneste indstilling, der giver denne mulighed. Man skal anvende de tre midterste hylder, fordi de øverste og nederste rammes af for megen varm luft, der kan medføre forbrænding af ømtålelige madvarer. Når der anvendes tre hylder samtidigt, vil maden på den midterste hylde blive tilberedt langsommere, og skal således blive i ovnen et par minutter længere. Hvis du benytter tre hylder til tilberedning af hele aftensmaden, bør du bruge den midterste hylde til den ret, der kræver den laveste temperatur (normalt desserten).

Brug af grillen

Ovnen med 7 programmer tilbyder 3 forskellige grillfunktioner. Brug positionen 4  "grill" til små portioner; denne position medfører forbrug på blot 1200 W, men sørger alligevel for perfekt grilning af små portioner, såsom toast, pølser etc... Placér maden på midten af risten, fordi kun midten af det øverste varmeelement vil være tændt. Mad placeret i hjørnerne vil ikke blive tilberedt. Position 4  "Dobbelt grill" giver mulighed for at grille på hele ristens overflade. Denne funktion skal anvendes, når der findes mad jævnt fordelt og man ønsker en jævn ristning. Position 6  "Gratineringssovnen" er meget nyttig ved hurtig tilberedning. Grillvarmen fordeles og bruner således madvarerne mens de tilberedes indeni. Store stykker kød og fjerkræ skal tilberedes uden anvendelse af stegvender. Denne funktion kan også anvendes som afslutning af tilberedningsprocessen ved mad, der kræver bruning, som for eksempel ovnbagt pasta. Grilning bør normalt foretages med lågen lukket for at få de bedste resultater og spare energi (cirka 10%). Der bør anbringes en bradepande under risten til opsamling af fedtdryp.

Fint bagværk

Fint bagværk skal altid sættes i ovnen efter foropvarmning. Vent indtil ovnen er fuldstændigt foropvarmet (det røde "L" lys vil slukke). Åbn aldrig lågen, når det fine bagværk bages, for at undgå at det falder sammen. Dejen må ikke være for flydende, fordi det vil medføre forlænget bagetid. Generelt:

Kagen er for tør

Næste gang skal man indstille en temperatur der er 10°C grader højere og reducere bagetiden.

Kagen falder sammen

Brug mindre væske og sænk temperaturen med 10°C.

Kagen er mørk på oversiden

Sæt kagen ind på en lavere hylde, indstil en lavere temperatur og forlæng bagetiden.

Korrekt bagning udenpå men klistret inderside

Brug mindre væske, sænk temperaturen, forlæng bagetiden.

Kagen slipper ikke kageformen










Smør formen godt med fedtstof og en smule mel.

Der er blevet bagt på flere hylder og ikke alle kager har nået samme bagegrad

Indstil en lavere temperatur. Kager indsat på forskellige hylder skal ikke nødvendigvis tages ud

Ovntilberedning af fisk og kød

Kød skal veje mindst 1 kg for at undgå, at det tørrer for meget ind. Ved hvidt kød, fjerkræ og fisk skal man anvende lave temperaturer (150°C-175°C). Ved rødt kød, som man ønsker skal være meget stegt på ydersiden med kødsaft indeni, vil det være hensigtsmæssigt at begynde med en indledende høj temperatur (200°C-220°C) i et kortere tidsrum, for derefter at sænke den. Generelt kan man sige, at jo større stegen er, desto lavere skal temperaturen være. Sæt kødet på midten af risten og stil bradepanden derunder for at opsamle fedtet. Indsæt risten på en sådan måde, at maden befinder sig i midten af ovnen. Hvis man ønsker mere varme nedenfra skal man anvende lavere hylder. For at få mere smagsfyldte stege (specielt and og vildt) skal man snøre fedt eller bacon om stegen, således at det bliver på oversiden.

Indstillings-knap	Mad til tilberedning	Vægt (Kg)	Placering af tilberednings-hylderne opad	Foropvarm-ningstid (minutter)	Termostat-knap	Tilbered-ningstid (minutter)
						
1 Optøning 	Al frossen mad					
2 Statisk ovn 	Svinekoteletter Kalvesteg Merengs Småkager	0,5 0,5 - -	2 2 2 2	15 15 10 10	200 200 100 140	35 30 60-75 15-20
3 Ventileret ovn 	Pizza Lasagne Ovnbagt pasta Lam Kylling Makrel Chokolade-kage	1 1 1 1 1 1 1	2 3 3 2 2 2 3	15 - - - - - 10	220 180 180 180 180 180 160	20-30 30-35 20-30 40-45 60-75 50-55 50-60
4 Grill 	Søtunger Rejer Torskefileter Ristede grøntsager	1 1 1 1	4 4 4 3-4	5 5 5 5	Max Max Max Max	8 4 10 8-10
5 Dobbelt grill 	Kalvebøf Koteletter, Hamburgere Makrel	1 1,5 1 1	4 4 3 4	5 5 5 5	Max Max Max Max	15-20 25 7 20-25
6 Gratinerings-ovn 	Grillkylling	1,5	2	5	200	55-60
7 Nænsom ovn til fint bagværk 	Hævede kager Tærter Frugtkager Boller	0,5 1 1 0,5	3 3 2 2	Foropvarm-ning på position 2 i 15 minutter	160 180 180 160	30-40 35-40 50-60 40-45

Bemærk: tilberedningstiderne er kun vejledende, og kan variere afhængigt af personlig smag.

Sikkerhed er en god vane

For at sikre langvarig funktion af dette husholdningsapparat, og af hensyn til forbrugernes tryghed, bør følgende råd følges:

- Hvis ovnen ikke fungerer, skal man udelukkende henvende sig til specielle tekniske servicecentre autoriseret af fabrikanten.
- Ved reparationer skal man altid forlange originale reservedele.

- Dette husholdningsapparat er designet til ikke-professionel brug i almindelige hjem, og dets funktioner må ikke ændres.
- Disse instruktioner er kun gældende i de lande, hvis symboler findes på vejledningen og pladen med serienummeret.
- Det elektriske system for dette apparat kan kun anvendes sikkert, når det er korrekt tilsluttet til en effektiv jordforbindelse i overensstemmelse med de gældende sikkerhedsregler.

Følgende genstande er potentielt farlige, og derfor skal der træffes passende forholdsregler for at forhindre børn og psykisk handicappede personer i at komme i nærheden af dem:

- Betjeningsindretninger og selve husholdningsapparatet;
- Emballagen (poser, polystyren, søm, etc.);
- Husholdningsapparatet lige efter brug af ovnen eller grillen p.g.a. den opståede varme;
- Husholdningsapparatet når det ikke længere benyttes (potentielt farlige dele skal uskadeliggøres).

Undgå følgende:

- At røre ved husholdningsapparatet med våde kropsdele;
- At bruge husholdningsapparatet barfodet;
- At trække i husholdningsapparatet eller forsyningskablet for at afbryde det fra den elektriske stikkontakt;
- At tilstoppe ventilationen eller åbningerne til varmeudledning;
- At gøre det muligt for forsyningskablerne til små husholdningsapparater at komme i berøring med de varme dele på dette husholdningsapparat;
- At udsætte husholdningsapparatet for vejr- og vindforhold (regn, solstråler);
- At anvende ovnen til opbevaringsrum;
- At anvende brandbare væsker i nærheden af husholdningsapparatet;
- At anvende adaptere, flerdobbelte stikdåser og/eller forlængerledninger;
- At forsøge at installere eller reparere apparatet uden bistand fra kvalificerede teknikere.

I følgende tilfælde skal man rette henvendelse til kvalificerede teknikere:

- Ved installering (i overensstemmelse med instruktionerne fra fabrikanten);
- Når man er i tvivl om betjeningen af apparatet;
- Ved udskiftning af stikkontakten, hvis den ikke er kompatibel med apparatets stik.

I følgende tilfælde skal man rette henvendelse til servicecentre autoriseret af fabrikanten:

- Hvis man er i tvivl om apparatet er ubeskadiget efter udpakning;
- Hvis forsyningskablet er blevet beskadiget, eller der er behov for at udskifte det;
- Hvis apparatet ikke fungerer, eller fungerer ukorrekt, skal man altid kræve originale reservedele.

Det er en god ide at overholde følgende råd:

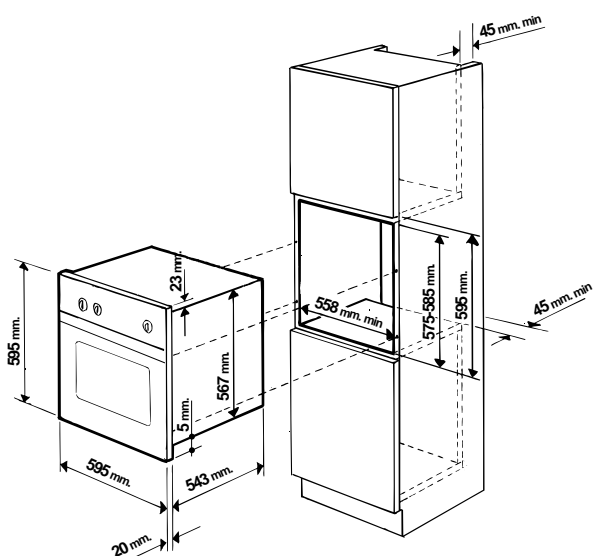
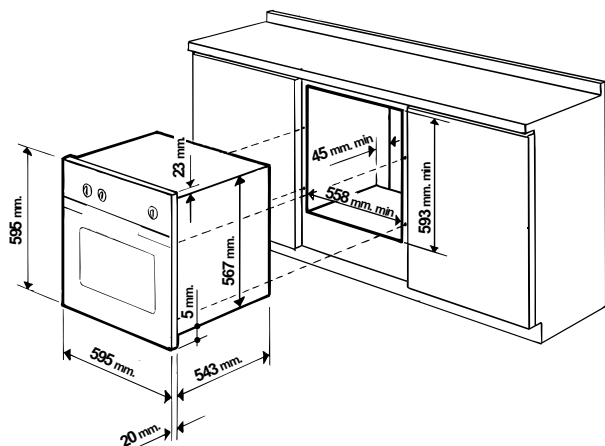
- Brug kun apparatet til tilberedning af madvarer og aldrig til andre formål;
- Kontrollér at apparatet er ubeskadiget efter udpakning;
- Afbryd apparatet fra den elektriske forsyning, hvis det ikke fungerer korrekt, og før der udføres rengøring eller vedligeholdelse;
- Hvis apparatet ikke anvendes over en længere tidsperiode, bør man afbryde elforsyningen og lukke gashanen (hvis en sådan findes);
- Brug ovnhandsker ved indsættelse af fade og lignende i ovnen, eller ved udtagning af disse;
- Tag altid fat i ovnlågen i midten, fordi enderne kan være varme på grund af udslip af varm luft;
- Kontrollér at betjeningsknapperne står på "•"/"o", når apparatet ikke anvendes;
- Skær forsyningskablet over, efter at det er afbrudt fra elforsyningen, når man beslutter aldrig mere at anvende apparatet.
- Fabrikanten kan ikke gøres ansvarlig for skader forårsaget af forkert installering eller ukorrekt, upassende eller uansvarlig brug af apparatet.

Installering

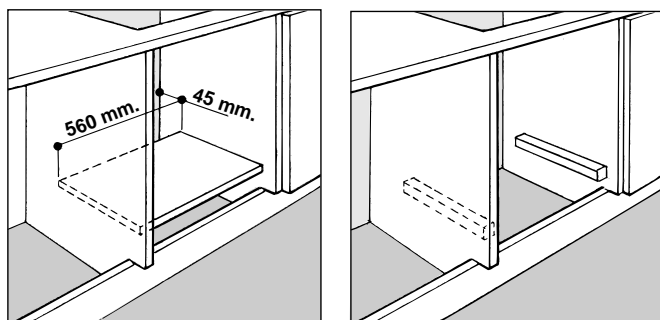
Vigtigt: sørg altid for at afbryde apparatet fra elforsyningen inden der udføres nogen form for justering eller vedligeholdelse.

Installering af indbyggede ovne

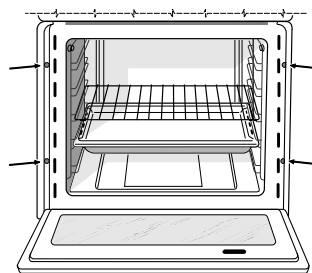
Køkkenelementet skal have en passende størrelse for at kunne sikre korrekt funktion af det indbyggede apparat. På illustrationen vises størrelserne på elementet til installering af ovnen under et køkkenbord eller i et søjleelement.



Bagpanelet på elementet skal fjernes for at sikre korrekt ventilation. Ovnen skal placeres på to små træpaneler; i tilfælde af et køkkenbord ud i ét, skal der være en åbning på mindst 45 x 600 mm.



Ved fastgøring af ovnen til elementet skal man åbne ovenlågen og fæstne ovnen ved at skrue de 4 træskrue ind i de 4 huller på yderrammen.



Elementpanelerne ved siden af ovnen skal være modstandsdygtige overfor varme. I tilfælde af finerbeklædte træpaneler skal limen være modstandsdygtig op til en temperatur på 100°C. Når apparatet er blevet monteret, må der ifølge sikkerhedsreglerne ikke være nogen mulighed for kontakt med elektriske dele. Alle beskyttelsesdele skal være fæstnet, således at de kun kan fjernes ved hjælp af værktøj.

Elektrisk tilslutning

Ovne med trepolede forsyningskabler er designet til funktion med vekselstrøm ved den forsyningsfrekvens og spænding, der er angivet på typepladen (forneden på ovnens betjeningspanel). Den gul-grønne ledning er jordledningen.

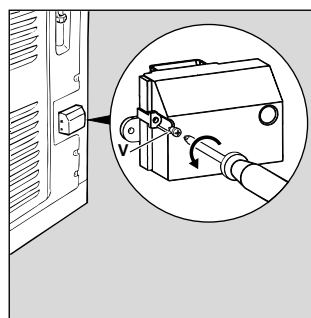


Fig. A

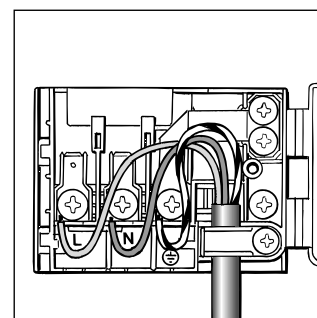


Fig. B

Installering af forsyningskablet

Åbning af terminalkomponentet:

- Drej skruen "V" (Fig. A) af.
- Træk og åbn samlekomponentets låg.

Følg nedenstående vejledning (Fig. B) ved installering af forsyningskablet:

- Drej kabelstoppets skruer af, og derefter kontakterne L-N-(\perp)'s skruer.
- Sæt de små kabler ind under skruerne; husk at respektere farverne: **Blå (N)** **Brun (L)** **Gul-Grøn (\perp)**.
- Fastgør forsyningskablet i det specielle kabelstop og luk låget.

Tilslutning af strømforsyningskablet til elforsyningen

Apparatet skal tilsluttes elforsyningen direkte ved hjælp af en flerpollet kredsløbsafbryder med en minimumsåbning mellem kontakterne på 3 mm, der skal installeres mellem apparatet og elforsyningen; denne afbryder skal være egnet til den angivne belastning, og være i overensstemmelse med de gældende direktiver (jordledningen må ikke afbrydes af kredsløbsafbryderen).

Elforsyningskablet skal placeres på en sådan måde, at det ikke når over 50°C højere end rumtemperaturen på noget punkt i hele længden. Inden installeringen udføres, skal følgende kontrolleres:

- at begrænsningsventilen og det private system kan bære apparatets belastning (se typepladen);
- At elforsyningsystemet er udstyret med en effektiv jordforbindelse, der er i overensstemmelse med de gældende regelsæt;

- At stikkontakten eller den flerpoledede kredsløbsafbryder er tilgængelige, når ovnen er blevet installeret.

N.B: anvend aldrig reduceringsenheder, adaptere eller shunts, fordi disse kan medføre overophedning eller forbrændinger.

Tekniske Specifikationer

Ovnens indre dimensioner:

Bredde: 40 cm
Dybde: 39 cm
Højde: 34 cm

Ovnens indre volumen:

53 liter

Energiforbrug:

For at nå 200°C: 0,45 kWh
For at opretholde en temperatur på 200°C i 1 time: 0,95 kWh
Samlet: 1,40 kWh

Strømforsyningens spænding og frekvens:

230 V~ / 50 Hz / 2300W



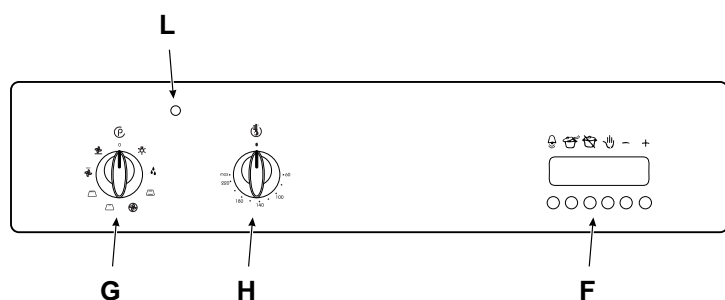
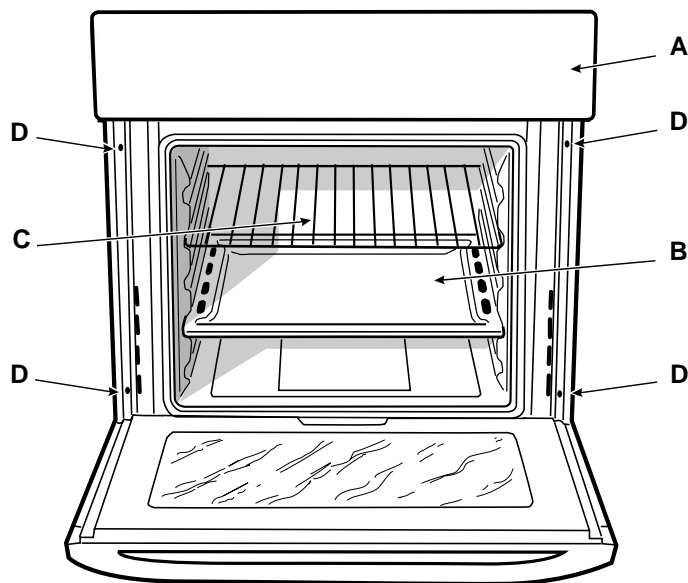
Dette apparat er i overensstemmelse med følgende EU-direktiver:

- 73/23/EØF af 19/02/73 (Lavspænding) og senere ændringer;
- 89/336/EØF af 03/05/89 (Elektromagnetisk kompatibilitet) og senere ændringer;
- 93/68/EØF af 22/07/93 og senere ændringer;

Gratulerar till ditt val av en Indesit utrustning som du kommer att märka är tillförlitlig och enkel att använda. Vi rekommenderar att du läser denna bruksanvisning för att uppnå bäst prestanda och öka din utrustnings livslängd. Tack.

Närbild

- A Panel
- B Ugnspanna eller plåt
- C Gallerplan i ugnen
- D Hål för fästsruvar
- F Programmerare för elektronisk tillagning
- G Inställningsvred
- H Termostatvred
- L Kontrollampa termostat




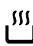
Hur du använder din utrustning

Använd anordningarna och kommandona på panelen för att ställa in de olika funktionerna.

Se upp: innan du använder ugnen eller grillen första gången ska du först låta dem fungera i cirka 30 minuter. Kontrollera att ugnen är tom, termostaten på max, luckan öppen och att lokalen har god ventilation. Den lukt som ibland uppstår vid denna operation beror på avdunstningen från de ämnen som använts för att skydda ugnen och grillen under den period som förflyter mellan tillverkningen och installationen av produkten.

Se upp: Den nedersta falsen ska endast utnyttjas då man använder sig av roterande grillspett (där sådant finns). Vid alla andra tillagningar ska inte den nedersta falsen användas och man ska aldrig placera föremål på ugnens botten medan den är i funktion eftersom det kan orsaka skador på emaljen. Placera alltid dina kokkär! (ugnsformar, aluminium, , etc. etc.) på gallret som följer med utrustningen och som finns isatt i ugnens falsar.



OBS: På de utrustningar som är försedda med elektronisk programmerare för användning av den elektriska ugnen ska

du trycka på knapp  (på display visas symbol  innan du väljer önskad tillagningsfunktion.

Ugnens vred

Ugnen "7 Cuochi" kombinerar fördelarna hos en traditionell ugn och en modern "varmluftsugn". Ugnen "7 Cuochi" är mycket lättanvändbar och erbjuder 7 olika säkra och enkla tillagnings sätt. Använd vreden för att ställa in de olika tillagningsfunktionerna som finns tillgängliga på "7 Cuochi" ugnen.

G - inställningsvred (identifierat med symbol )

H - termostatvred (identifierat med symbol ) på panelen. När instrumentvredet är på andra lägen än "o", som är viloläget, tänds ugnsbelysningen; läget av vredet som är märkt med symbolen  gör att man kan tända ugnsbelysningen utan att något uppvärmningselement är aktiverat.

1. Upptining

- Läge vred "G": 

- Läge vred "H": **vilket som helst**

Fläkten som är placerad på ugnens botten gör att rums-

tempererad luft cirkulerar runt maten. Vi råder dig att använda den för att tina alla sorts livsmedel, särskilt ömtålig mat som inte tål värme t.ex. glasstårter, efterrätter med vaniljkräm eller grädde, fruktdesserter. Upptiningstiden reduceras till ungefär hälften. För kött, fisk eller bröd kan upptiningstiden minskas genom att man använder varmluftsugnen vid en temperatur på 80°-100°C.

2. Traditionell ugn

- Läge vred "G": 

- Läge vred "H": valfritt mellan 60°C och **Max**

I detta läge tänds ugnsbelysningen och de två nedre och övre värmeelementen. Det är "mormors" klassiska ugn som Indesit har tillverkat på så sätt att den kan nå en exceptionell fördelning av temperaturen med låg förbrukning. Den traditionella ugnen förblir oöverträffad i de fall då man ska tillaga rätter som består av två eller fler ingredienser som tillsammans bildar en rätt, som t.ex. revbensspjäll med kål, lutfisk på spanskt vis, stoccafisso all'anconetana (långa på anconetanskt vis), kalvkött med ris etc.. Resultatet blir utmärkt vid tillagningen av rätter som består av ox eller kalvkött såsom: stekar, grytor, gulasch, vilrätter, bringa eller karré av gris, som kräver en långsam tillagning med konstant tillförsel av buljong eller vätskor. Det förblir bästa sättet för att grädda småkakor, efterrätter etc. men även för frukträtter i allmänhet. När du lagar mat i den traditionella ugnen ska endast en fals användas eftersom värmen fördelas dåligt om man använder sig av flera falsar. När du använder de olika falsarna som finns till förfogande kan du fördela värmen mellan den övre och nedre delen. Särskilt den första och andra falsen nedifrån gör att det blir varmare nedtill.

3. Varmluftsugn

- Läge vred "G": 

- Läge vred "H": valfritt mellan 60°C och **Max**

I varmluftsugnen med forcerad varmluftsventilation cirkulerar värmen runt maten genom en fläkt som är placerad på ugnens botten. Tack vare denna ventilation tillagas och brynes maten jämnt och i alla dess punkter. Eftersom värmen inuti varmluftsugnen förblir konstant och jämn kan du tillaga olika sorters rätters samtidigt om de bara har liknande tillagningstider.

Det går att använda två falsar samtidigt genom att följa föreskrifterna som återfinns i paragrafen "Samtidig tillagning på flera falsar". Vi rekommenderar dig att tillaga dessa maträtter i varmluftsugnen: utmärkt resultat uppnås vid tillagning av pastarätter som kräver gratinering och relativt lång tillagningstid. Excellent resultat fås även vid tillagning av stekar eftersom värmen fördelas bättre vilket gör att du kan använda dig av lägre temperaturer som innebär att mindre vätska avdunstar vilket gör steken mörare och reducerar viktnedgången. Varmluftsugnen är särskilt uppskattad för tillagning av fisk som kan göras iordning på enklast möjliga vis utan förändringar i smak eller utseende. Utmärkta resultat uppnås även då man tillagar grönsaker såsom kål, kålrötter, morötter, squash, äggplantor, paprika.

Desserter: säkra resultat fås när du gräddar jästa kakor såsom sockerkakor, petitchoxer, giffjar. Varmluftsfunktionen kan även användas till att tina vitt och rött kött, fisk och bröd genom att du ställer in en temperatur 80°-100°C. För att tina ömtåligare livsmedel kan du ställa in 60°C eller endast använda dig av kallluftsventilationen genom att ställa

termostatvredet på 0°C.

4. Grill

- Läge vred "G": 

- Läge vred "H": **Max**.

I grillen tillagas maten med hjälp av en termisk strålning riktad nedåt som produceras av ett elektriskt glödande uppvärmningselement. Grillens höga och direkta temperatur gör att matens yta omedelbart bryns och förhindrar att vätska rinner ut, vilket gör att innanmätet blir mörare. Grillning lämpar sig särskilt för de rätter som kräver hög ytemperatur: biffar av nöt eller kalv, entrecôte, filé, hamburgare etc...

5. "Dubbel grill"

- Läge vred "G": 

- Läge vred "H": **Max**.

En grill som är större än de vanliga och med helt ny design: grillkapaciteten har ökats med 50%. Dubbelgrillen grillar även i hörnrumrådena dit den vanliga grillen inte når.

6. Gratinerat

- Läge vred "G": 

- Läge vred "H": valfritt mellan **60°C** och **200°C**

Förenar den termiska strålningen i en enda riktning med den forcerade varmluftsventilationen inuti ugnen. Detta förhindrar att ytorna bränns genom att värmen ökar och tränger bättre in i maten. Utsökta resultat uppnås när ventilationsgrillen används för tillagning av kebab med kött eller grönsaker, korvar, fläskkotletter, lammkotletter, grillad kyckling, vaktlar, fläskfilé etc... Ventilationsgrillen förblir oöverträffad när du ska tillaga forell, tonfisk, braxen, fylld fisk etc... **Obs:** Grillning (funktioner 4, 5, 6) ska ske med luckan öppen.

7. Bakugn

- Läge vred "G": 

- Läge vred "H": valfritt mellan **60°C** och **Max**

Det nedre uppvärmningselementet och ugnsbelysningen sätts på samt fläkten startar. De temperaturer som ställts in med termostatvredet uppnås automatiskt och bibehålls konstant. Detta läge är särskilt lämpligt för tillagning av mat (i ugnspannor) som är färdiga på ytan men ännu inte genomstekta. Det är dessutom lämpligt för desserter täckta med frukt eller marmelad, liksom för jästa kakor som kräver en lätt gräddningsyta; du ska i vilket fall hålla dig till följande instruktioner:

- Sätt in kakan när ugnen redan är uppvärmd
- Eftersom föruppvärmningsfasen är ganska långsam i detta läge ska du ställa in önskad temperatur med hjälp av ventilationsfunktionen (läge 3). När temperaturen väl uppnåtts ska du ställa in läge 7.
- Ställ aldrig in fler än en rätt åt gången.
- Använd falsen (om du inte använder dig direkt av plåten) eftersom den ger en bättre värmecirkulation. Ta ut de plåtar som inte används ur ugnen.
- Placera gallret på andra eller tredje falsen nedifrån så att du utnyttjar värmen som kommer underifrån. Placera kakformen på mitten av gallret.
- Öppna inte luckan under gräddningen av kakor för att undvika att temperaturen sänks vilket medför att gräddningen avstannar och att kakan sjunker ihop.
- Maxtemperaturen för denna funktion är cirka 220°C. För

att uppnå högre temperaturer krävs mycket längre tid. Om gräddningen kräver högre temperatur ska du använda läge 2 (traditionell ugn) eller läge 3 (varmluftsugn).

Ugnens röda kontrollampa ON (L)

Betyder att ugnen håller på att värmas upp. När kontrollampen slocknar innebär det att önskad temperatur uppnåtts. Att kontrollampen omväxlande tänds och släcks betyder att termostaten fungerar korrekt och att den bibehåller konstant temperatur inuti ugnen.

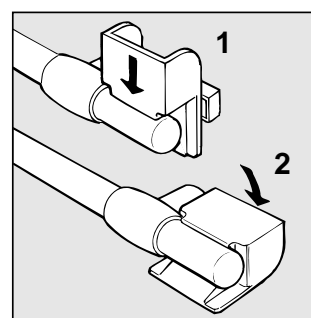
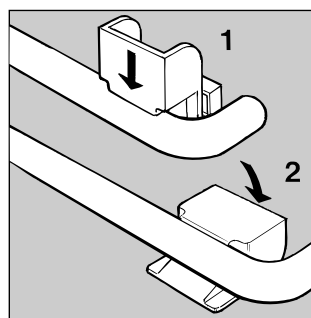
Ugnsbelysning

Belysningen inuti ugnen tänds när du vrider på vred "G". Den lyser upp utrustningen och förblir tänd när vilken som helst av ugnens elektriska uppvärmningselement är i funktion.

Ugnshandtag

Viktigt: Det kommer ut het ånga från hålen som finns på handtagets högra sida. Rör inte denna del av handtaget.

Ugnar med rörformade handtag är försedda med en speciell skyddsanordning som är nödvändig under tillagningen för att hålla ångan på avstånd från utrustningens nedre del.



Forcerad ventilation

För att minska temperaturen på utsidan av ugnen har vissa modeller försetts med en avkylningsfläkt som sätts i funktion när man vrider vred "G" till en tillagningsfunktion. Under tillagningen är fläkten alltid igång och det går att känna en luftström mellan ugnsluckan och kontrollpanelen.

Obs: vid avslutad tillagning förblir fläkten aktiverad under några minuter så att ugnen snabbt kyls av.

3° glaset

För att er hålla en lägre temperatur av ugnsluckan under användningen och en lägre energiförbrukning finns ytterligare ett skyddsset till förfogande. Denna anordning bör monteras om du har småbarn. För att göra detta måste du införskaffa skyddssetet, som har reservdelskod **076650**, hos en auktoriserad återförsäljare eller vid den Serviceverkstad som finns angiven på utrustningen.

Programmerare för elektronisk tillagning

Denna gör att du kan programmera ugnen eller grillen för följande funktioner:

- sätter igång senarelagd tillagning under en fastställd tid;
- sätter igång omedelbar tillagning under en fastställd tid;
- minuträkneverk.

Tangenternas funktion:

: räkneverk timmar, minuter, sekunder

: tillagningstidens längd

: tillagningens sluttid

: manuell omkoppling

: inställning av tid bakåt

: inställning av tid framåt

Hur du återinställer digitaluret

Efter nätanslutningen eller efter ett strömavbrott blinkar displayen på: **0.00**

- Tryck samtidigt på tangenterna och och ställ därefter (inom 4 sekunder) in exakt klockslag med tangenterna och .

Med tangent ökar tiden.

Med tangent minskar tiden.

Eventuella ändringar av klockslaget kan göras på två sätt:

1. Upprepa ovanbeskrivna faser helt
2. Tryck på tangent och ställ därefter in tiden med tangenterna och .

Manuell funktion av ugnen

Efter att du ställt in klockslaget går programmeringen automatiskt till manuellt läge.

Obs: Tryck på tangent för att återställa den manuella funktionen efter varje "Automatisk" tillagning.

Påsättning av senarelagd tillagning under en fastställd tid

Du ska ställa in längden och sluttiden av tillagningen. Antag att display visar klockan 10,00

1. Vrid ugnens kommandovred till önskad funktion och temperatur (exempel: statisk ugn, 200°C)
2. Tryck på tangent (inom 4 sekunder) och ställ därefter in önskad längd med tangenterna och Antag att du vill ställa in en tillagningstid på 30 minuter; då syns:

0:30

När du, efter 4 sekunder, släpper upp tangenten visas gällande tid med symbol samt texten **auto**




3. Tryck på tangent och därefter på tangenterna och XXX tills du ställt in önskad sluttid för tillagningen, t.ex. klockan 13,00



13:00

4. När du på nytt släpper upp tangenten syns efter 4 sekunder gällande tid på displayen:

10:00

Den tända texten **auto** påminner om den utförda längd och sluttidsprogrammeringen i automatisk funktion. Nu kommer ugnen att sättas på automatiskt klockan 12,30 så att tillagningen avslutas efter 30 minuter. När ugnen är


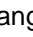
påsett är den lilla kastrullsymbolen  tänd under hela tillagningstiden. Man kan, genom att när som helst trycka på tangent , visualisera den längd som ställts in, när man trycker på tangent  visas tillagningens sluttid.

När tillagningen är avslutad hörs en ljudsignal, tryck på vilken knapp som helst, med undantag av tangenterna  och  för att avbryta signalen .

Omedelbar tillagning under en fastställd tid

Om du endast programmerar längden (punkt 1 och 2 av paragrafen " Senarelagd tillagning under en fastställd tid ") påbörjas tillagningen omedelbart.

För att radera en redan programmerad tillagning


Tryck på tangent  och med tangent  återför du klockslaget till

0:00

och trycker därefter på tangenten för manuell funktion .

Minuträknarfunktionen

Med minuträknarfunktionen ställer du in en tid i vilken en nedräkning påbörjas. Denna funktion kontrollerar inte påslagningen eller avstängningen av ugnen, den ger endast ifrån sig en ljudsignal när den inställda tiden förflutit.




När du trycker på tangent  syns:

0:00



Ställ därefter in önskad tid med tangenterna  och .

När du släpper upp tangenten startar tiden exakt på sekunden, på display visas gällande tid.

10:00

När tiden förflutit hörs en ljudsignal som kan avbrytas genom att du trycker på vilken tangent som helst (med undantag av tangenterna  och ) , och symbolen  slocknar.

Korrigerad radering av data

- Inställda data kan ändras när som helst genom att du trycker på motsvarande tangent samt tangent  eller .
- När du raderar tillagningstiden raderas även sluttiden av funktionen och viceversa automatiskt.
- Om det rör sig om ett programmerat funktionssätt accepterar inte utrustningen sluttillagningstider som föregår de tillagningstider som utrustningen själv föreslår.

Hur du sköter din ugn

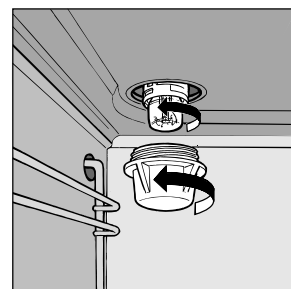
Frånkoppla ugnen från elnätet innan du utför rengörings- eller underhållsarbeten.

Förläng ugnens livslängd genom att rengöra den ofta och tänk på följande:

- De självrengörande panelerna (om de finns) och de emaljerade delarna ska tvättas med varmt vatten - slipande pulver och frätande ämnen ska undvikas.
- Insidan av ugnen ska rengöras med varmt vatten och diskmedel direkt efter användningen. Diskmedlet ska sköljas bort och insidan ska torkas noggrant.
- Rostfritt stål kan få fläckar om det förblir i kontakt med starka rengöringsmedel (fosforhaltiga) eller mycket kalkrikt vatten. Vi rekommenderar att du sköljer av dessa delar noggrant och torkar dem noga efter rengöringen. Det är också en god regel att torka upp eventuellt vattenspill.
- Lägg aldrig aluminiumfolie på ugnsbotten då den ansamlade värmen inte bara hämmar tillagningen utan också kan skada emaljen.

Byte av ugnslampan

- Bryt eltilförseln till ugnen genom att slå ifrån den allpoliga huvudströmbrytaren eller dra ut stickkontakten om den går att komma åt.
- Skruva loss glaskåpan som är fäst vid lamphållaren.
- Skruva loss glödlampan och byt ut den mot en annan glödlampa som klarar höga temperaturer (300°C) och har följande karakteristika:
 - Spänning: 230/240 V
 - Watt: 25 W
 - Lampfatning: E14
- Sätt tillbaka glaskåpan och anslut åter utrustningen till elnätet.




Praktiska tillagningstips

Ugnen "Cuochi" erbjuder ett brett utbud av möjligheter för att tillaga all sorts mat på bästa sätt. De olika funktionerna gör att du kan rikta värmen enligt behov: uppåt, nedåt, jämnt fördelad och med önskad styrka. Med tiden kommer du att lära dig att utnyttja denna lättanvändbara utrustning på bästa sätt. De observationer som återges här nedan är endast allmänna råd som du kan lägga till dina egna personliga erfarenheter.


Föruppvärmning



Om du skulle behöva föruppvärma ugnen, vilket krävs så gott som alla gånger när du ska grädda jästa kakor, kan du använda dig av varmluftsgugnen som gör att du snabbt når önskad temperatur på kort tid och med låg energiförbrukning. När rätten väl satts in i ugnen kan du gå över till den tillagningsfunktion som är mest lämplig.

Samtidig tillagning på flera falsar

Om du skulle behöva använda fler falsar ska du endast använda funktionen 3  "varmluftsgugn" som är det enda sättet för denna typ av tillagning. Du ska använda de tre mittfalsarna; den nedersta och den översta träffas direkt av varmluften vilket kan göra att ömtåliga rätter bränns. När du använder dig av tre falsar tar tillagningen på mittfalsen lite längre tid, ge den därför några minuter extra i ugnen. Om du däremot håller på att förbereda en komplett måltid och använder dig av alla tre falsarna ska du placera den rätt som kräver lägst temperatur på mittfalsen (vanligtvis efterrätten).

Användning av grillen

Utrustningen med 7 program erbjuder 3 olika grillfunktioner. Använd läget  "grill" för små portioner. Energiförbrukningen för denna funktion är endast 1200 W, vilket gör den idealisk för smårätter som varma smörgåsar, grillkorv etc. Placera maten på mitten av gallret eftersom endast den centrala delen av det övre uppvärmningselementet tänds. Maten i hörnen grillas ej.

Läget 5  "Dubbel grill" gör att man kan grilla på hela gallrets yta. Använd denna funktion när du har mat som är placerad på hela ytan och vill ha en jämn grilllyta. Läge 6  "Gratinerat" är mycket användbart för snabba grilleringar. Värmen från grillen fördelar sig så att ytan och den nedre delen gräddas samtidigt. Den gör att man kan grilla stora köttstycken eller fågelbitar utan att man behöver använda sig av det roterande grillspettet. Du kan även använda den vid slutfasen vid tillagning av maträtter som behöver en stekyta, den är till exempel idealisk för att ge färg till pastarätter.

Grilleringarna ska ske med stängd lucka så att du tillsammans med ett gott resultat erhåller en energibesparing (10% cirka). Sätt in ugnspannan under gallret för att samla upp fett.

Grilleringarna ska ske med stängd lucka så att du tillsammans med ett gott resultat erhåller en energibesparing (10% cirka). Sätt in ugnspannan under gallret för att samla upp fett.

Bakning

När du bakar ska rätterna alltid ställas in i varm ugn, vänta tills föruppvärmningen är avslutad. Se till att ugnen är ordentligt föruppvärmd (den röda kontrollampan "L" slocknar). För att förhindra att kakan sjunker ihop ska du inte öppna luckan under gräddningen. Vispade degar ska inte vara alltför flytande för att inte förlänga gräddningstiderna alltför mycket. I allmänhet:

För torrt bakverk

Öka temperaturen med 10°C nästa gång och minska gräddningstiden.

Bakverket sjunker ihop

Använd mindre vätska och sänk temperaturen med 10°C.

Bakverket är mörkt ovanpå

Sätt in det längre ned, ställ in en lägre temperatur och förläng gräddningen.

Bra gräddat utanpå men klibbigt inuti

Använd mindre vätska, sänk temperaturen och öka gräddningstiden.

Bakverket lossnar inte från formen









Smörj formen väl och bröa den.

Jag har använt flera plåtar och alla har inte nått samma tillagningsresultat

Ställ in en lägre temperatur. Bara för att det sätts in flera plåtar samtidigt betyder det inte att de ska tas ut på samma gång.

Tillagning av fisk och kött

Köttet måste väga minst 1 kg så att det inte blir torrt. När du lagar till vitt kött, fågel och fisk ska du använda låga temperaturinställningar (150°C-175°C). Vid rött kött som ska stekas ordentligt utanpå men förbli mörkt och saftigt inuti, är det en bra regel att börja med en hög temperaturinställning (200°C-220°C) en kort stund och sedan sänka ugnstemperaturen. Ju större stek, ju lägre temperaturinställning. Placera köttet i mitten på gallret och placera långpannan under det för att fånga upp fett. Se till att gallret sätts in mitt i ugnen. Om du vill öka undervärmen ska du använda de nedre gallerhöjderna. För välsmakande stekar (i synnerhet anka och vilt) ska du klä köttet med ister eller bacon ovanpå.

Position selector knob	Food to be cooked	Weight (Kg)	Position cooking shelves upward	Time preheating (minutes)	Position thermostat knob	Time cooking (minutes)
						
1 Defrosting 	All frozen food					
2 Static oven 	Pork ribs Roast veal Duck Merengues Biscuits	0,5 0,5 0,5 - -	2 2 1-2 2 2	15 15 15 10 10	200 200 200 100 140	35 30 30-35 60-75 15-20
3 Ventilated oven 	Pizza Lasagne Baked tagliatelle Lamb Chicken Mackerel Bream Chocolate cake	1 1 1 1 1 1 1,5 1	2 3 3 2 2 2 2 3	15 - - - - - - 10	220 180 180 180 180 180 180 160	20-30 30-35 20-30 40-45 60-75 50-55 55-60 50-60
4 Grill 	Sole and cuttle fish Calamary kebabs and prawns Cod steaks Grilled vegetables	1 1 1 1	4 4 4 3-4	5 5 5 5	Max Max Max Max	8 4 10 8-10
5 Doble Grill 	Veal steaks Chops Hamburgers Mackerel	1 1,5 1 1	4 4 3 4	5 5 5 5	Max Max Max Max	15-20 25 7 20-25
6 Gratin oven 	Grilled chicken Stuffed squid	1,5 1,5	2 2	5 5	200 200	55-60 40-45
7 Gentle pastry oven 	Leavened cakes Pies Fruit cakes Buns	0,5 1 1 0,5	3 3 2 2	Pre-heating in position 2 for 15 minutes	160 180 180 160	30-40 35-40 50-60 40-45

Note: cooking times are approximate and may vary according to personal taste.

För att garantera denna hushållsapparats långvarig funktion samt förbrukarens trygghet:

- Anlita endast en av tillverkaren auktoriserad kundservice
- Gör alltid anspråk på bruk av originala reservdelar

- Denna utrustning är konstruerad för ej yrkesmässigt hushållsbruk och dess funktioner får inte ändras.
- Dessa instruktioner gäller endast för de länder där landssymbolen finns på manualen och typskylten.
- Utrustningens elsystem kan endast användas på ett säkert sätt när det är korrekt anslutet till ett effektivt jordningssystem enligt gällande säkerhetsstandard.

Följande delar är potentiellt farliga och det måste därför vidtas lämpliga försiktighetsåtgärder för att förhindra att barn och obehöriga kommer i kontakt med dem:

- Vred och utrustningen i allmänhet.
- Förpackningsmaterialet (påsar, frigolit, spikar osv.).
- Utrustningen direkt när ugnen eller grillen har använts på grund av den värme som alstras.
- Utrustningen när den inte längre används (potentiellt farliga delar måste göras säkra).

Undvik följande:

- Att röra vid utrustningen med våta kroppsdelar.
- Att använda utrustningen barfota.
- Att dra i utrustningen eller elsladden för att dra ut kontakten ur eluttaget.
- Att täppa till ventilations- eller värmeavledningsspringorna.
- Att låta elsladdar från små hushållsapparater komma i kontakt med utrustningens varma delar.
- Att utsätta utrustningen för väder och vind (regn, sol).
- Att använda ugnen för förvaring.
- Att använda lättantändliga vätskor i närheten av utrustningen.
- Att använda adaptrar, multipeluttag och/eller förlängningssladdar.
- Att försöka installera eller reparera utrustningen utan hjälp från kvalificerad personal.

Kvalificerad personal måste kontaktas i följande fall:

- Installation (enligt tillverkarens instruktioner).
- När det råder tveksamheter om utrustningens funktion.
- Vid byte av eluttaget när det inte är kompatibelt med utrustningens kontakt.

Serviceverkstäder som har auktoriserats av tillverkaren måste kontaktas i följande fall:

- Om det råder tveksamheter om utrustningen är hel när den har packats upp ur förpackningen.
- Om elsladden har blivit skadad eller behöver bytas ut.
- Om utrustningen går sönder eller fungerar dåligt. Be om originalreservdelar.

Det är en god regel att utföra följande:

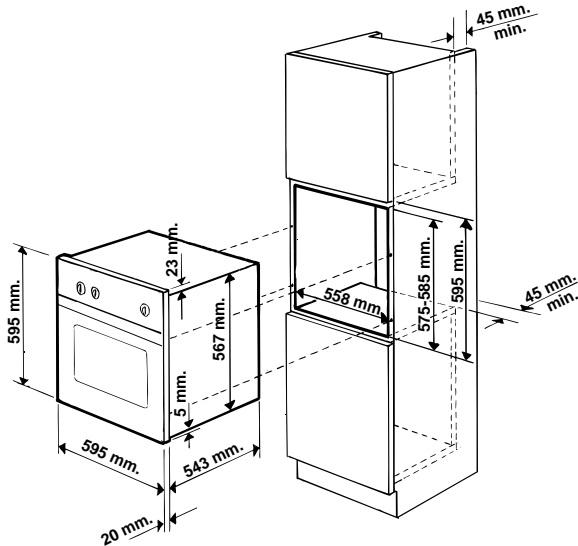
- Använd endast utrustningen för att laga mat, ingenting annat.
- Kontrollera att utrustningen är hel när den har packats upp.
- Frånkoppla utrustningen från elnätet om den inte fungerar korrekt och innan det utförs rengörings- eller underhållsarbeten.
- Bryt eltillförseln och stäng gaskranen (om den finns) när utrustningen inte används under en längre tid.
- Använd grillvantar/grytlappar när du ställer in köksredskap i ugnen eller tar ut det.
- Öppna alltid ugnsluckan i mitten då ändarna kan vara varma på grund av den varmluft som kommer ut.
- Se till att kontrollvreden är i läge "●"/"o" när du inte använder utrustningen.
- Dra ut kontakten ur eluttaget och skär av elsladden när du bestämmer dig för att kassera utrustningen.
- Tillverkaren ansvarar inte för skador som uppstår på grund av felaktig installation eller olämplig, felaktig eller oförnuftig användning av utrustningen.

Installation

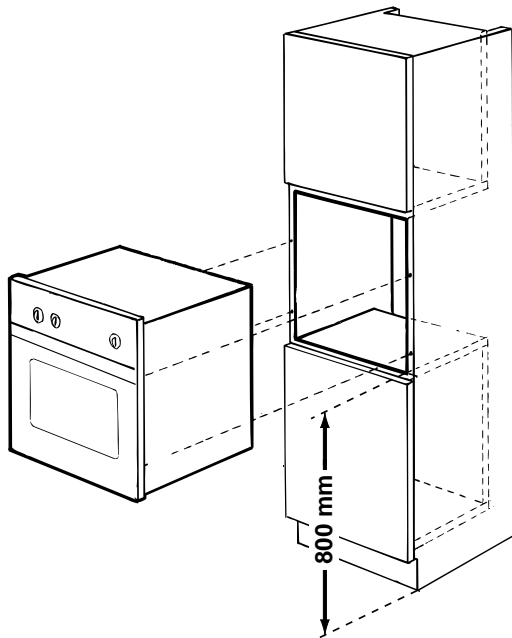
Viktigt: Eltillförseln till utrustningen måste brytas innan det utförs några justeringar eller underhållsarbeten på den.

Installation av inbyggnadsugnar

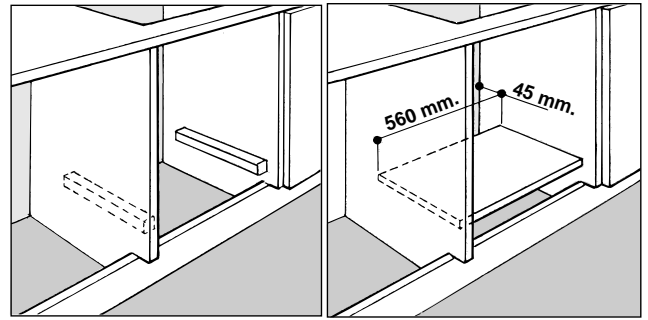
För att försäkra en god funktion av inbyggnadsutrustningen är det nödvändigt att skåpet, där den ska byggas in, har lämpliga egenskaper. Måttet på det skåp där utrustningen ska byggas in återges i figuren .



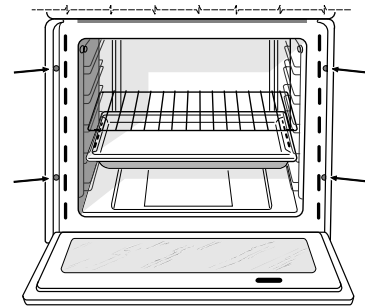
OBSERVERA: Utrustningar som inte är utrustade med barnspärr måste installeras minst 800 mm från golvet (se figur).



Bakstycket på skåpet måste tas bort för att garantera en tillräcklig ventilation. Installera helst ugnen så att den står på två trälistor. Det måste finnas en öppning på minst 45 x 560 mm om ugnen står på en kontinuerlig plan yta.



Fäst ugnen vid skåpet genom att öppna ugnsluckan och föra in 4 träskruvar i de 4 hålen som är placerade runt om på ramen.



De intelligande skåpens paneler måste vara gjorda av värmebeständigt material. Skåp med faner på utsidan måste monteras ihop med lim som klarar temperaturer på upp till 100°C.

Det får inte gå att komma åt ugnens elektriska delar när den har installerats. Detta föreskrivs av gällande säkerhetsstandard.

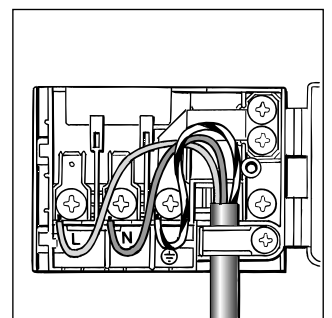
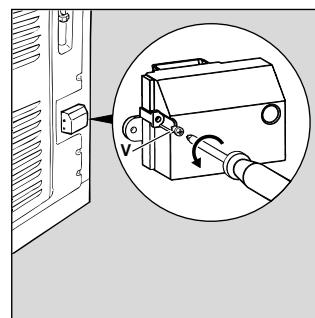
Samtliga delar som garanterar utrustningens säkra funktion får inte gå att ta bort utan ett verktyg.

Elanslutning

De ugnar som är utrustade med en trepolig elsladd är konstruerade för att fungera med växelström med den spänning och frekvens som anges på typskylten (placerad på utrustningen) och i instruktionsmanualen. Jordledaren är gul-grön.

Montering av en elsladd

Öppna kopplingsplinten:



- Ta bort skruven "V".
 - Ta bort kopplingsplintens kåpa.
- Installera sladden på följande sätt:
- Ta bort kabelklämmans skruv och de tre

- kontaktskruvarna L-N-⚡
- Fäst ledarna under skruvhuvudena enligt följande färgschema: **Blå** (N) **Brun** (L) **Gul-grön** ⚡.
 - Fäst elsladden med klämman, stäng kopplingsplintens kåpa och fäst den med skruven "V".

Anslutning av elsladden till elnätet

Utrustningen ska anslutas direkt till elnätet med hjälp av en allpolig strömbrytare med ett minsta avstånd mellan kontakterna på 3 mm. Strömbrytaren ska vara dimensionerad för belastningen och vara i överensstämmelse med gällande standard (jordledaren får inte brytas med strömbrytaren).

Elsladden ska placeras på ett sådant sätt att den inte någonstans når en temperatur som ligger 50°C över rumstemperaturen.

Före anslutningen ska du kontrollera att:

- Säkringen och bostadens elsystem klarar utrustningens belastning (se typskylten).
- Bostadens elnät är utrustat med ett effektivt jordningssystem i enlighet med gällande säkerhetsstandard.
- Eluttaget eller den allpoliga strömbrytaren går lätt att komma åt när ugnen har installerats.

OBS: Använd inte adaptrar, shuntar eller reduktionsmotstånd då de kan orsaka överhettning och leda till bränder.

Tekniska specifikationer

Ugnens innermått:

Bredd - 40 cm
Djup - 39 cm
Höjd - 34 cm

Ugnens innervolym:

53 liter

Energiförbrukning:

För att nå 200°C: 0,45 kWh
För att upprätthålla temperaturen vid 200°C i 1 timme: 0,95 kWh
Totalt: 1,40 kWh

Elnätets spänning och frekvens:

230 V~ / 50 Hz / 2300 W



Denna utrustning är i överensstämmelse med följande EU-direktiv:

- 73/23/EU av 73-02-19 (Lågspänning) och följande ändringar.
- 89/336/EU av 89-05-03 (Elektromagnetisk kompatibilitet) och följande ändringar.
- 93/68/EU av 93-07-22 och följande ändringar.



Merloni Elettrodomestici

Viale Aristide Merloni 47

60044 Fabriano

Italy

Tel +39 0732 6611

Fax +39 0732 662501

www.merloni.com